

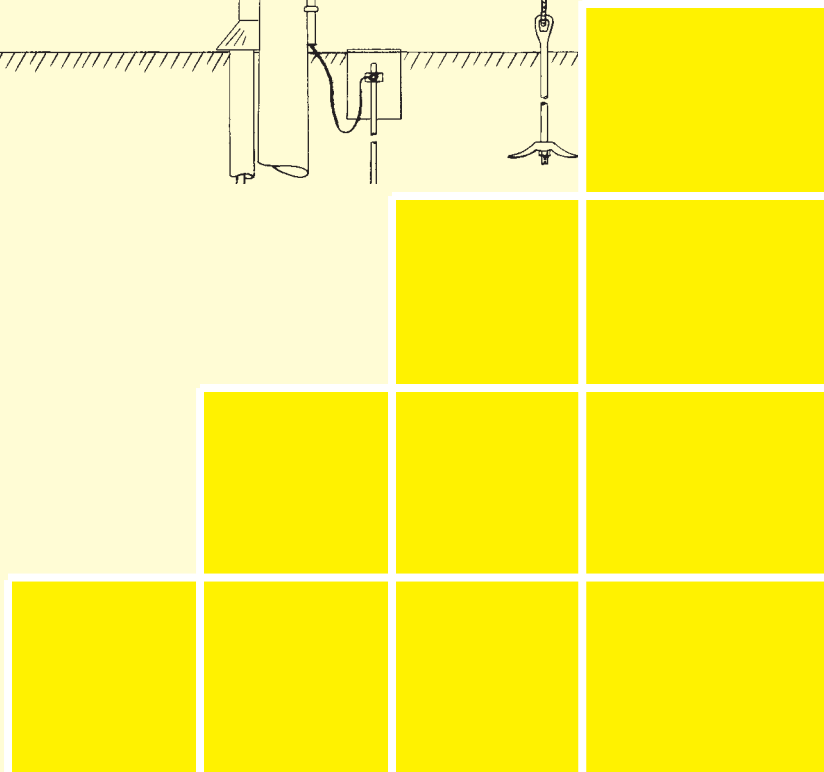
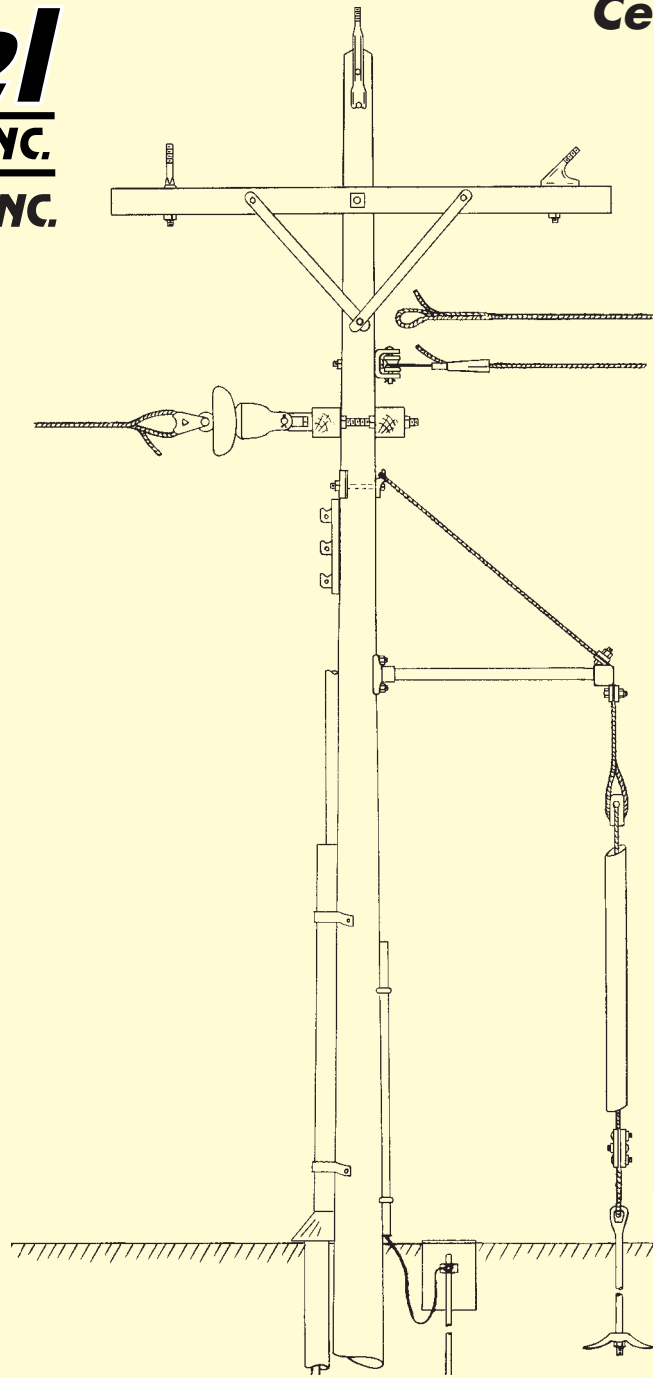
Hydel
ENTERPRISES INC.

DIVISION OF CIRCA METALS INC.

ISO 9001:2000
Certified

PoleLine Catalogue

- **Transmission**
- **Distribution**
- **Utility Products**
- **Communication Hardware**
- **Grounding Equipment**
- **Mining Hardware**
- **Custom Fabrication**





When you think of Poleline Hardware Products, you can count on HYDEL's 29 years of service and engineering to the Utility Residential, Commercial and Industrial markets.

The Hydel Customer Service TEAM is continually striving to improve stock availability, accessibility to information and technical assistance.

Hydel Products are approved and tested before leaving our modern design and manufacturing facility in Toronto.

Hydel Enterprises Inc. will strive to constantly improve the quality and delivery of our products to our customers. We will perfect our products to the highest level of acceptance within the industry which will benefit our customers, employees and owners.



Table of Contents



Anchors

Anchors1
Cross-Plates2
Pole Key & Square3
Anchor Rods4
Rock Anchors5

Angle Braces

V Braces & Alley Arms6
---------------------------------	----

Braces

Hollow Structural & Wooden7
--------------------------------------	----

Bolts

Machine Bolts8, 9
Carriage Bolts10
Double Arming Bolts11
Thimble & Oval Eye Bolts12
“U” Bolts13
Lag Bolts14

Bolts & Bolt Eyes

Spool, Bolt Eyes, Angle15
-----------------------------------	-----

Clamps Aluminum

Clamps Aluminum16, 19, 20
Line Post Clamps17
Saddle Line Post18

Clamps

Guying Clamps21
-------------------------	-----

Clevises

Clevises22
--------------------	-----

Bracket Adapters

Mounting & Clevis23
-----------------------------	-----

Communication Hardware

Wedge Grips & Drive Hooks24
Clamps25
Clamps & Pole Steps26

Cross Arm Braces

Braces27
------------------	-----

Distribution

Brackets for Cut Out Switches & Arrestors28
Cut Out Arrestor Brackets29
Cutout & Arrestor Brackets30
Transformer Mounting31, 32
Strain Yokes33

Insulators (Porcelain)

Strain, Suspension, Spool, Pin Type34
--	-----



Table of Contents

Grounding

Rods & Plates35

Grounding Connectors

Connectors36

Grounding

Copper Clad Rods37

Plates & Boxes38

Gradient Mats & Staples39

Guying

Guy Wire40

Guards

Straight & Flared41

Guard Straps

Straps42

Guy Guards

Plastic/Steel43

Guy Hooks

Guy Hooks44

Guy Plates

Strain & Guy Plates45

Nuts

Eye, Thimble, Square, Hex46

Pole Top Hardware

Pole Top Pins, Angle Pins, etc. . . .47

Cross Arm Pins, Angle Pins, etc. .48

Pole Top Brackets, Side Post
Brackets49

Pole Insulators

Line Post Insulators50

Dead End Suspension
(Polymere)51

Pole Mounting

Pole Mounts & Pole Bands52

Pole Bracing

Braces & Plates53, 54

Preform Grips

Service & Deadend Grips55

Washers

Square Flat Washers56

Square Curved Washers57

Round, Bevelled Washers58

Lock, Spur Washers59

Table of Contents



Straps

Extension & Strain60

Racks

Spool Racks & Screw Brackets . .61

Secondary Racks62

Underground Hardware

Cable Racks & Hooks63

Underground Equipment

Underground Equipment64

Special Hardware

Mining Hardware65

Custom Enclosures

Ontario Hydro Enclosures66

Accessories

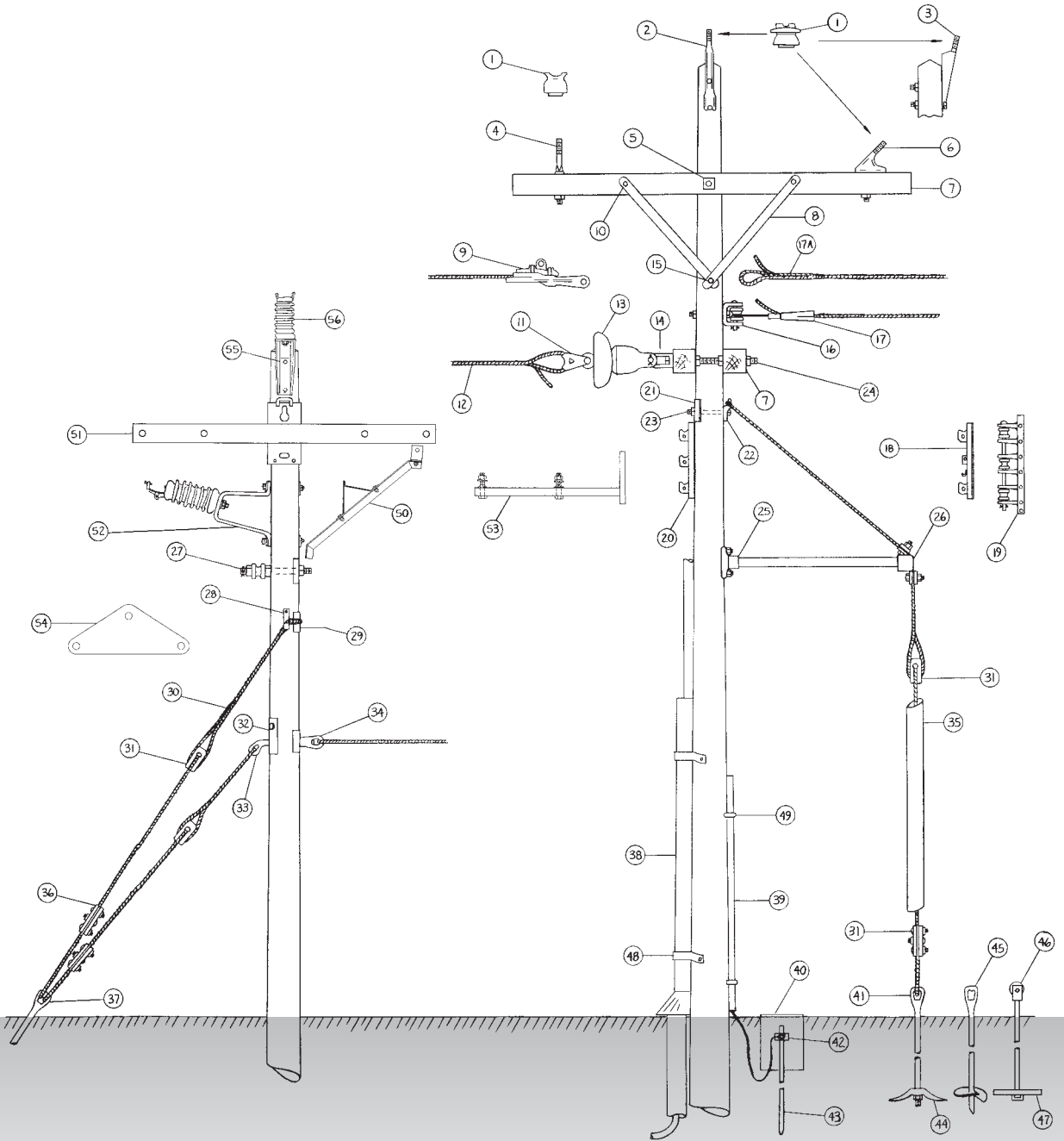
Seals & Jumper Bars67

Meter Accessories

Sealing Rings / Covers68



Poleline Hardware



Poleline Hardware



Suffix	Description	Page
1.	WPT - pin type insulator	34
2.	PT - pole top pin	47
3.	AT - angle poletop pin	48
4.	CAP - cross arm pin	48
5.	SW - square washer	56
6.	ANP - angle cross arm pin	48
7.	WCA/WCD - wood cross arm	7
8.	CAB - cross arm brace	27
9.	SLA/SLM - straight line clamp	18
10.	CB - carriage bolt	10
11.	24236.TC - thimble clevis	22
12.	DG - distribution grips	24
13.	WSU - suspension insulator	34
14.	BE - bolt eye	15
15.	LG/LF - lag screw	14
16.	CL - clevis w/insulator	22
17.	WG - wedge grip	24
17A.	SG - service grip	55
18.	TSR - triplex space rack c/w 1085.D insulator	62
19.	E/NE - secondary rack	61
20.	R - knob type rack c/w 1085.D insulator	62
21.	CW - curved washer	57
22.	34.GH - guy hook	44
23.	M - machine bolt	8 - 9
24.	DA - double arming bolt	11
25.	541.SGF - sidewalk guy ftg.	21
26.	540.SGF - sidewalk guy ftg.	21
27.	SB - spool bolt	15
28.	2.GH - guy hook (2 per installation)	44
29.	SP - strain plate	45
30.	GE - guy end	55
31.	WGS - guy strain insulator wet	34



Poleline Hardware

Suffix	Description	Page
32.	GP - guy plate	45
33.	BTE - bent thimble eye bolt	12
34.	EN - oval eye nut	46
35.	YG/GG/SGG - guy guard	43
36.	GU/GUC - guy clamp	21
37.	ADT - double thimble anchor rod	4
38.	UCF/UFA - flared U-cable guard	41
39.	701/701.W - plastic/wood moulding	39
40.	700 - ground electrode box	38
41.	AST - anchor rod-single thimble	4
42.	725/758 etc. - groundrod connectors	36
43.	B/G/CC - groundrods	35
44.	EX - expansion anchor	1
45.	SA - screw anchor	4
46.	ASR - anchor rod-single roller	4
47.	SAP - square anchor plate supp.	3
48.	USC/UCA - U. cable guard straps	41
49.	703 staples	39
50.	AVB/AA - Angle V brace /Alley Arm	6
51.	HSC - Hollow structural cross arm	7
52.	SBS - Side post brackets	49
53.	BCA/LAB - Bracket cutout arrestor	28
54.	SY - Strain yokes	33
55.	PTB, PTA, Pole top brackets	49
56.	LP - Line Post Insulators	50 - 51



8-Way Expanding Anchors Black Asphalt Coated

Form a square when expanded. The pointed corner blades make starting easy. The eight blades, one-piece top plate, deeply embossed for additional strength, expand upon impact into undisturbed earth to form a pyramid shaped square. The 8-way anchor retains its shape under extremely heavy loads due to the support of the eight blades by the base plate. These anchors are coated with a special asphalt paint to protect them against corrosive soil.

Cat. No.	Size (Inches)	Area (Sq.In)	Rod Size (inches)	Anchors Per CTN	Wt.-lbs. Ea.	Ultimate Soil Anchor Holding Strength-Pounds (No Safety Factor Included)				
						* Soil Class				
						3	4	5	6	7
						Soil Test Probe Value				
						500-600 in.-lbs.	400-500 in.-lbs.	300-400 in.-lbs.	200-300 in.-lbs.	100-200 in.-lbs.
88135EX	8	135	5/8-3/4	6	9.5	26,500	22,000	18,500	15,000	10,000
10200EX	10	200	1	4	19	31,000	26,500	21,000	16,500	12,000
12300EX	12	300	1	2	33	40,000	34,000	26,500	21,500	16,000
1025834EX	10	200	5/8-3/4	4	19.25	31,000	26,500	21,000	16,500	12,000
123114EX	12	300	1-1/4	2	33	40,000	34,000	26,500	21,500	16,000

* These numbers indicate type of soil: 3. Compacted clay and gravel mixed, shale, broken rock, hardpan. 4. Compacted sand, claypan, compacted gravel. 5. Loose sand, gravel and clay, compacted coarse sand. 6. Clay loam, damp clay, compacted sand fines, loose coarse sand. 7. Silt loam, loose sand fines, wet clay, miscellaneous.



88135EX



Anchors

CROSS-PLATES

Cross-Plate Anchor Black Asphalt Coated

Cross-Plate anchors are formed from structural steel are ribbed for extra strength and reinforcement. Plate edges are flanged to resist creeping. Plates are welded at right angles for maximum holding ability. Nut retainer is provided to aid installation. These anchors are available with high-grade asphalt coating.

Cat. No.	Hole Size (Inches)	Area (Sq.In)	Rod Size (inches)	Anchors Per CTN	Wt.-lbs. / C	Ultimate Soil Anchor Holding Strength-Pounds (No Safety Factor Included)				
						* Soil Class				
						3	4	5	6	7
						Soil Test Probe Value				
						500-600 in.-lbs.	400-500 in.-lbs.	300-400 in.-lbs.	200-300 in.-lbs.	100-200 in.-lbs.
16CPA	16	150	5/8-3/4	6	70	26,500	22,500	18,500	14,500	9,500
20CPA	20	250	5/8-3/4	4	65	34,000	29,000	24,000	19,000	14,000
201CPA	20	250	1	4	65	34,000	29,000	24,000	19,000	14,000
2434CPA	24	400	5/8-3/4	1	33	45,000	37,000	30,000	23,500	18,000
24CPA	24	400	1	1	33	45,000	37,000	30,000	23,500	18,000
241CPA	24	400	1-1/4	1	33	45,000	37,000	30,000	23,500	18,000

* These numbers indicate type of soil: 3. Compacted clay and gravel mixed, shale, broken rock, hardpan. 4. Compacted sand, claypan, compacted gravel. 5. Loose sand, gravel and clay, compacted coarse sand. 6. Clay loam, damp clay, compacted sand fines, loose coarse sand. 7. Silt loam, loose sand fines, wet clay, miscellaneous fill.



16CPA

Anchors

POLE KEY & SQUARE



ANCHORS

Pole Key Anchor (Less Rod) Black Asphalt Coated

Pole Key Anchors are formed from structural steel and deeply ribbed for extra strength and reinforcement. Expands upon impact into undisturbed soil. The anchors are coated with special asphalt paint to protect against corrosive soil conditions.

Cat. No.	Blade Width (inches)	Expanded Area (Sq.In)	Expanded Width (inches)	Resisting Moment – Pound-Feet Anchor at 5' Depth and with 8" x 48" Counter Key				
				† Soil Class				
				3	4	5	6	
276PKA	7	276	27-1/4	55,125	47,500	36,750	28,875	*

* Divide resisting moment by distance, in feet, from ground level to center of load to determine maximum unbalanced load to be supported.

† These numbers indicate type of soil: 3. Compacted clay and gravel mixed, shale, broken rock, hardpan. 4. Compacted sand, claypan, compacted gravel. 5. Loose sand, gravel and clay, compacted coarse sand. 6. Clay loam, damp clay, compacted sand fines, loose coarse sand. 7. Silt loam, loose sand fines, wet clay, miscellaneous fill.



276PKA

Square Anchors

Hot dip Galvanized

Painted available upon request Gray or black add suffix P

Nut retainer welded to bottom plate to provide means of anchor rod recovery.

Cat. No.	Dimension (inches)	Area sq.in	Anchor rod diameter (inches)	Std.Pkg.	Wt.-lbs./C
250SAP	16-1/4 x 16-1/4	250	5/8-3/4	1	1100
250SAP1	16-1/4 x 16-1/4	250	3/4 x 1	1	1100
400SAP	20 x 20	400	3/4 x 1	1	2650
400SAP2	20 x 20	400	1 to 1-1/4	1	2650



250SAP



Anchors

ANCHOR RODS

Screw Anchors (Wrenchless)

Hot dip Galvanized.

Rod and plate are one unit.

Installed by inserting a 1" rod into eye and turning the anchor manually.

Cat. No.	Diameter plate	Holding Strength	Diameter Rod	Holding Strength Dry Clay - lbs.	Std. Pkg.	Wt.-lbs./C
634SA	6"	6500 #	3/4	5500	2	1050
810SA	8"	8000 #	1	8000	1	1900



634SA

Anchor Rods

Threaded anchor rods for all types of anchors.

Single thimble (AST); Double thimble (ADT);

C.S.A. Specification No. C-83 No. R1, R2, R3 and R14.

Cat.No.		Length	Diameter	Std.Pkg.	Wt. lbs./ C
Single	Double				
658AST	658ADT	6'	5/8	5	750
758AST	758ADT	7'	5/8	5	830
	858ADT	8'	5/8	5	930
	634ADT	6'	3/4	5	1010
	734ADT	7'	3/4	5	1160
	834ADT	8'	3/4	5	1320

Minimum breaking strength at thread root:

5/8" diameter - 15, 000 lbs.

3/4" diameter - 23, 000 lbs.

All anchor rods supplied with heavy square nuts.



658ADT

Anchors

ROCK ANCHORS



Rock Anchors

For solid rock or in stone or concrete walls. Made from 1" round steel, with drop forged eye, flattened at the top.

C.S.A. Standard Drawing No. A-2

Cat.No.	Size	Std.Pkg.	Wt.-lbs./ C
121RAW	1" x 12" c/w wedge	10	450
181RAW	1" x 18" c/w wedge	10	600
30W	Wedge only	10	30

Installation of Rock Anchor:

Drill hole in rock; expand bottom end with wedge by pounding top of anchor with sledge hammer. Grout with cement.



181RAW



30W

Rock Anchor Extension

Hot dip galvanized. Shipped ready to install c/w bolt and nut and double strand eye. Used in conjunction with Rock Anchor, mainly when rock anchor is installed below grade.

Cat.No.	Length	Diameter	Std. Pkg.	Wt.-lbs./ C
334RAE	3'	3/4"	5	700
434RAE	4'	3/4"	5	860
534RAE	5'	3/4"	5	1020

Other sizes available upon request.



334RAE



Angle Braces

V BRACES & ALLEY ARMS

Angle V-Braces

Cat.No.	Size of Angle	Span	Drop	Centre Hole Size	Ends Hole Size	Wt.-lbs./ C
42AVB	1-1/2 x 1-1/2 x 3/16	42	12	11/16"	9/16"	830
48AVB	1-1/2 x 1-1/2 x 3/16	48	18	11/16"	9/16"	1,000
60AVB	1-1/2 x 1-1/2 x 3/16	60	18	11/16"	9/16"	1,160
72AVB	1-1/2 x 1-1/2 x 3/16	72	22	11/16"	9/16"	1,300
3442AVB	1-3/4 x 1-3/4 x 3/16	60	18	11/16"	9/16"	1,300
3460AVB	1-3/4 x 1-3/4 x 3/16	60	18	11/16"	9/16"	1,330
3466AVB	1-3/4 x 1-3/4 x 3/16	66	20	11/16"	9/16"	1,500
3472AVB	1-3/4 x 1-3/4 x 3/16	72	18	11/16"	9/16"	1,510
34721AVB	1-3/4 x 1-3/4 x 3/16	72	22	11/16"	9/16"	1,540
72AVB-2	1-3/4 x 1-3/4 x 3/16	72	18	13/16"	13/16"	1,350
3442AVB-13	1-3/4 x 1-3/4 x 3/16	60	18	13/16"	13/16"	1,300

Provides support for heavy crossarms.
 11/16" holes for pole mounting.
 Other sizes available upon request.
 Add suffix 13 where end holes must be 13/16".
 Spread of span is measured from hole centres.



42AVB

Alley arm braces- with and without step

All mounting holes 11/16" *With crossarm mounting clip

- C.S.A. Standard
- 11/16" hole for pole attachment
- Made from steel angle with linemen's step
- 9/16" hole for crossarm
- Used to support distribution conductors on one side of pole
- Hot dip galvanized

Cat.No.	Size of Angle Inches	Length Feet	Wt.-/lbs (100 pcs.)	Std. Pkg.
52AA	1-1/2 x 1-1/2 x 3/16	5	1100	5
62AA	1-1/2 x 1-1/2 x 3/16	6	1300	5
7215AA	1-1/2 x 1-1/2 x 3/16	7	1465	5
72AA	1-3/4 x 1-3/4 x 3/16	7	2100	5



72AA

Braces

HOLLOW STRUCTURAL & WOODEN

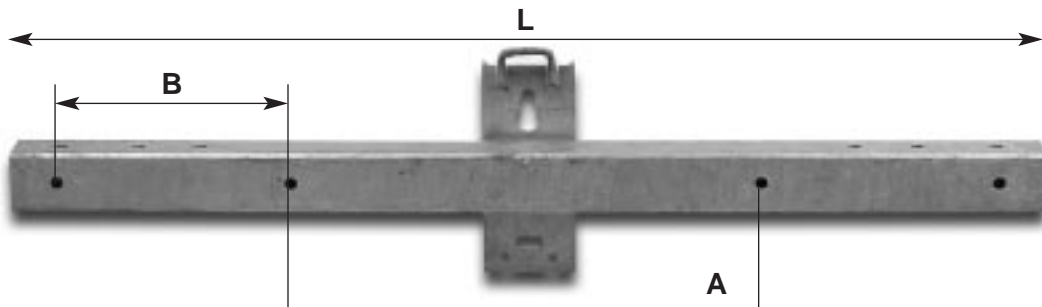


Hollow Structural Steel Cross Arms

Holes 13/16" diameter except as shown. Hot dip galvanized after fabrication as per C.S.A. G164. Come Complete with lifting eyes.

Cat. No.	Section	L	A	B	Wt.-lbs./ ea
4442HSC	4 x 4 x .150	3'6"	-	-	38
4454HSC	4 x 4 x .150	4'6"	-	15"	46
4466HSC (OH)	4 x 4 x .150	5'6"	-	15"	55
4490HSC	4 x 4 x .150	7'6"	36"	18"	72
4490HSC-4 (OH)	4 x 4 x .188	7'6"	36"	18"	80
4690HSC	4 x 6 x .188	7'6"	36"	18"	103
44114HSC (OH)	4 x 4 x .3125	9'6"	36"	18"	152
46126 HSC	4 x 6 x .3120	10'6"	36"	18"	217
46150HSC	4 x 6 x .3750	12'6"	48"	18"	298

Special hole patterns available upon request. ie. Hamilton Hydro, London Hydro, Peterborough Hydro etc.



4490HSC

Wood Cross Arms

Cat.No.	Dimensions				Std. Pkg.	Wt.-lbs./ C
	L	L2	D	D2		
42WCD	6'4"	18"	9/16	11/16	1	2400
42WC	6'4"	18"	1.1/2		1	2400
44WCD	8'4"	30"	9/16	11/16	1	3200
44WC	8'4"	30"	1.1/2		1	3200
43WCA	9'10"	36"	11/16		1	3800
62WCD	9'4"	18"	11/16		1	4000



Bolts

MACHINE BOLTS

Square Head Machine Bolts complete with Nuts

Bolts 6" and longer made with buffer points. C.S.A. Standard Drawing No. B-3.

Minimum breaking strength at thread root:

3/8" diameter – 4,650 lbs.

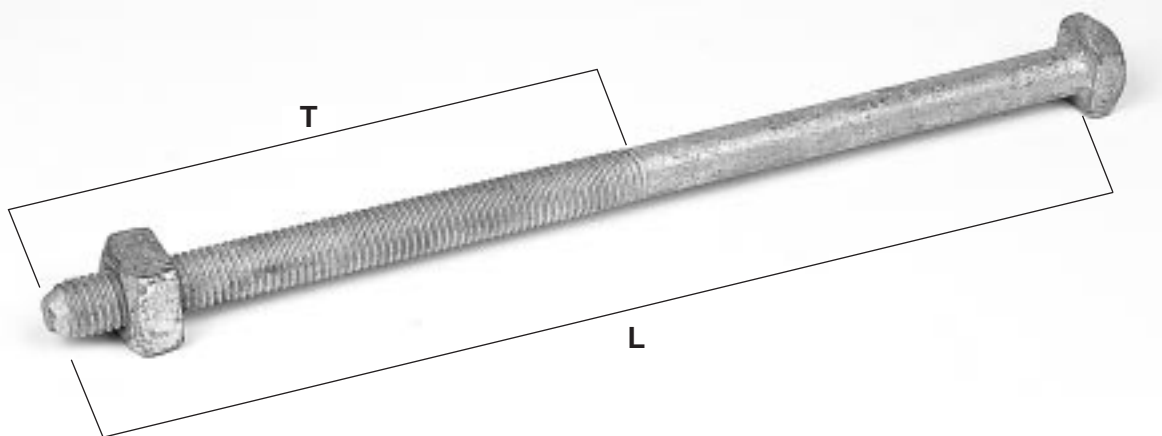
1/2" diameter – 8,500 lbs.

5/8" diameter – 13,500 lbs.

3/4" diameter – 20,000 lbs.

Cat. No.	L	T	Std.Pkg.	Wt.-lbs./ C
3/8" Diameter Bolts complete with Hexagon Nuts:				
1538M	1.1/2	1	100	10
238M	2	1	100	11
2538M	2.1/2	1	100	12
338M	3	1	100	13
438M	4	1	50	15
538M	5	1	50	19
638M	6	1	50	22
1/2" Diameter Bolts complete with Square Nuts:				
1512M	1 1/2	1 1/4	50	18
212M	2	1 1/4	50	21
312M	3	1 1/4	50	28
412M	4	1 1/4	25	35
512M	5	1 1/4	25	40
612M	6	1 1/4	25	45
712M	7	1 1/4	25	50
812M	8	4	50	56
1012M	10	4	50	67
1212M	12	6	50	76
1412M	14	6	50	85
1612M	16	6	50	94

Other sizes available upon request.



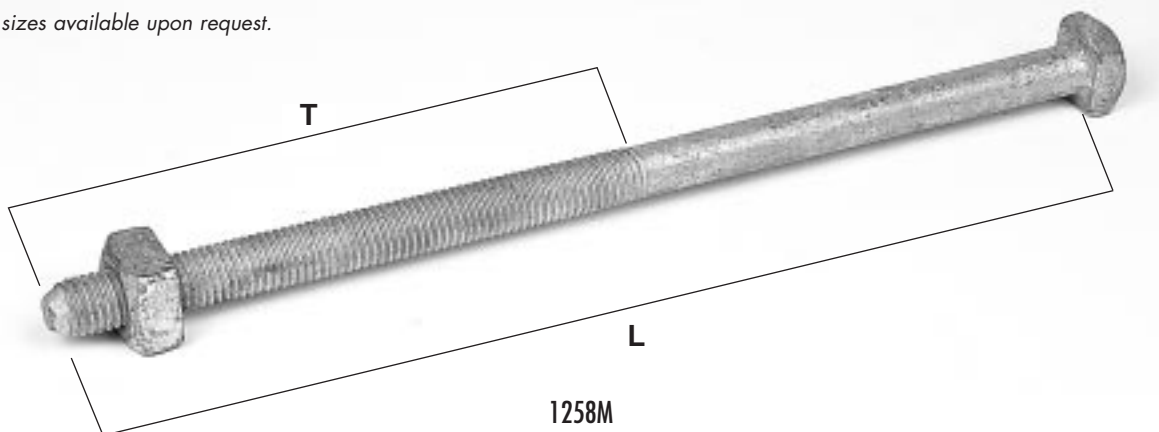
1258M



Square Head Machine Bolts complete with Square Nuts *Cont'd*

Cat.No.	L	T	Std. Pkg.	Wt.-lbs./ C
5/8" Diameter Bolts:				
258M	2	1 1/2	25	38
358M	3	1 1/2	25	45
458M	4	1 1/2	25	54
558M	5	1 1/2	25	62
658M	6	1 1/2	50	70
858M	8	4	50	86
1058M	10	4	50	102
1058M-8	10	8	50	102
1258M	12	6	50	115
1458M	14	6	50	130
1658M	16	6	50	145
1858M	18	6	25	160
2058M	20	6	25	175
2258M	22	6	25	190
2458M	24	6	25	208
2658M	26	6	25	226
2858M	28	6	25	235
3/4" Diameter Bolts:				
634M	6	1 3/4	50	102
834M	8	4	50	130
1034M	10	4	50	150
1234M	12	6	50	175
1434M	14	6	25	200
1634M	16	6	25	225
1834M	18	6	25	245
2034M	20	6	25	270
2234M	22	6	25	300
2434M	24	6	25	320
2634M	26	6	25	340

Other sizes available upon request.





Bolts

CARRIAGE BOLTS

Carriage Bolts

Hot dip galvanized complete with hexagon nuts. C.S.A. Drawing B-33.

Cat.No.	Dimensions			Std.Pkg.	Wt.-lbs./C
	Diameter	L	Thread Length		
3/8" Diameter Minimum Breaking Strength 4,500 lbs.					
1538CB	3/8	1 1/2	1/2	50	12
2538CB	3/8	2 1/2	1	50	14
3538CB	3/8	3 1/2	1	50	15
438CB	3/8	4	1	50	16
4538CB	3/8	4 1/2	1	50	17
538CB	3/8	5	1	50	19
5538CB	3/8	5 1/2	1	50	20
638CB	3/8	6	1 1/4	50	22
1/2" Diameter Minimum Breaking Strength 8,500 lbs.					
412CB	1/2	4	1 1/4	50	32
4512CB	1/2	4 1/2	1 1/4	20	33
512CB	1/2	5	1 1/4	20	35
5512CB	1/2	5 1/2	1 1/4	20	38
612CB	1/2	6	1 1/2	20	42
5/8" Diameter Minimum Breaking Strength 13,500 lbs.					
358CB	5/8	3	1 1/2	25	46
4558CB	5/8	4 1/2	1 1/2	25	58
658CB	5/8	6	1 3/4	25	70
1058CB	5/8	10	1 3/4	25	102
1258CB	5/8	12	1 3/4	25	115

Other sizes available upon request.



Bolts

DOUBLE ARMING BOLTS



Double Arming Bolts

Fully threaded, Hot dip galvanized, buffer points. C.S.A. Standard Drawing No. B-2.

Minimum breaking strength at thread root:

5/8" diameter – 13, 500 lbs.

3/4" diameter – 20, 000 lbs.

Cat.No.	Size	Std.Pkg.	Wt.-lbs./ C
1058DA	5/8 x 10"	25	120
1258DA	5/8 x 12"	25	135
1458DA	5/8 x 14"	25	150
1658DA	5/8 x 16"	25	165
1858DA	5/8 x 18"	25	180
2058DA	5/8 x 20"	25	195
2258DA	5/8 x 22"	25	210
2458DA	5/8 x 24"	25	225
2658DA	5/8 x 26"	25	240
2858DA	5/8 x 28"	25	255
3058DA	5/8 x 30"	25	270
1034DA	3/4 x 10"	25	210
1234DA	3/4 x 12"	25	230
1434DA	3/4 x 14"	25	250
1634DA	3/4 x 16"	25	270
1834DA	3/4 x 18"	25	290
2034DA	3/4 x 20"	25	310
2234DA	3/4 x 22"	25	330
2434DA	3/4 x 24"	10	350
2634DA	3/4 x 26"	5	370
2834DA	3/4 x 28"	5	390
3034DA	3/4 x 30"	5	410

Other sizes available upon request.



1658DA



Bolts

THIMBLE & OVAL EYE BOLTS

Thimble Eye Bolts

Complete with square nuts. Hot dip galvanized, cone points. C.S.A. Drawing No. B-7 & B-5

Cat. No.	D	L	T	Std. Pkg.	Wt.-lbs./ C
Straight					
858TE	5/8	8	6	25	125
1058TE	5/8	10	6	25	144
1258TE	5/8	12	6	25	162
1458TE	5/8	14	6	25	198
Bent Thimble Eye Bolts					
1058BTE	5/8	10	6	25	144
1258BTE	5/8	12	6	25	162
1458BTE	5/8	14	6	25	198
1010BTE	1	10	6	10	190



1058TE



1058BTE

Oval Eye Bolts

Hot dip galvanized Bolts 6" and longer have cone points.

Eye Dimensions (A x B) for 1/2" bolt: 1 x 1-1/2"; for 5/8 and 3/4" bolts: 1-1/2 x 2

Cat.No.	Diameter	L	T	Std.Pkg.	Wt.-lbs./ C
6580E	5/8	6	3	50	122
8580E	5/8	8	4	50	136
10580E	5/8	10	4	25	150
12580E	5/8	12	6	25	168
14580E	5/8	14	6	25	186
16580E	5/8	16	6	25	204
18580E	5/8	18	6	25	222
20580E	5/8	20	6	25	250
22580E	5/8	22	6	25	270
24580E	5/8	24	6	25	290
10340E	3/4	10	6	25	225
12340E	3/4	12	6	25	250
14340E	3/4	14	6	25	275
16340E	3/4	16	6	25	295
18340E	3/4	18	6	25	320

Other sizes available upon request.



10580E

Bolts

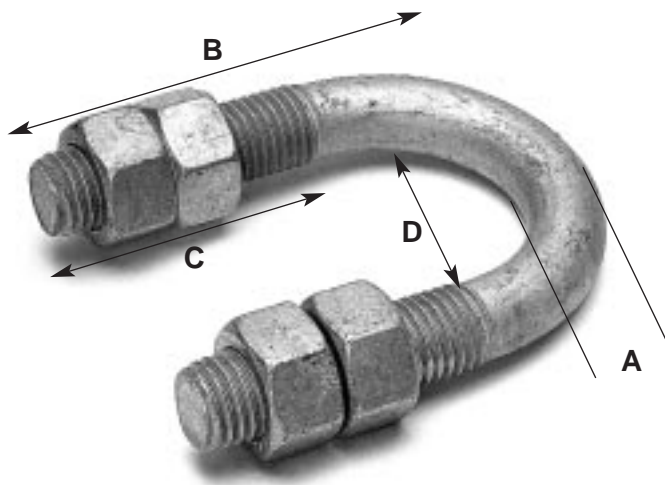
"U" BOLTS



"U" Bolts

Complete with 4 hexagon nuts. Minimum order quantities required.

Cat. No.	Dimensions-Inches				Minimum Breaking Strength	Std.Pkg.	Weight/100
	Size A-Inches	B	C	D			
6310U	3/8	2 5/8	2 1/16	1	8,000 lbs.	100	35
6320U	3/8	3 1/8	2 5/16	1	8,000 lbs.	100	40
6330U	3/8	4	2 13/16	1 1/2	8,000 lbs.	100	47
6421U	1/2	2 1/2	1 1/2	1 1/4	14,000 lbs.	100	63
6451U	1/2	3	1 1/2	1 1/4	14,000 lbs.	100	71
6461U	1/2	4	2	1 1/2	14,000 lbs.	100	84
6551U	5/8	3	1 1/2	1 3/4	25,000 lbs.	50	122
6552U	5/8	3 5/8	1 3/4	2	25,000 lbs.	50	132
6555U	5/8	4	2	2	25,000 lbs.	50	142
6661U	3/4	4 1/2	3	2 1/2	36,000 lbs.	25	220
6663U	3/4	5 1/2	2 3/8	2 1/2	36,000 lbs.	25	250
6665U	3/4	6	2 3/8	2 1/2	36,000 lbs.	25	295
6750U	7/8	5	2 1/2	2 1/2	50,000 lbs.	15	364
6760U	7/8	6	2 3/4	3	50,000 lbs.	15	405
6770U	7/8	7	3	3	50,000 lbs.	15	446
6850U	1	5	3	2 1/2	66,000 lbs.	10	507
6860U	1	6	3 1/8	3	66,000 lbs.	10	560
6870U	1	7	3 1/4	3	66,000 lbs.	10	613



6661U



available in 3/8" or 5/16" diameter



Bolts

LAG BOLTS

Lag Bolts Gimlet Point

C.S.A. Standard Drawing No. S-1 except hexagon head instead of square. Fetter Drive available upon request on limited sizes, add suffix "LF".

Cat.No.	Dimensions	Std.Pkg.	Wt.-lbs./ C
1/4" Diameter:			
2514LG	1/4 x 2 1/2	100	4
314LG	1/4 x 3	100	5
5/16" Diameter:			
2556LG	5/16 x 2 1/2	100	6
356LG	5/16 x 3	100	7
3/8" Diameter:			
238LG	3/8 x 2	50	9
2538LG	3/8 x 2 1/2	50	10
338LG	3/8 x 3	50	11
3538LG	3/8 x 3 1/2	50	12
438LG	3/8 x 4	50	14
4538LG	3/8 x 4 1/2	50	15
538LG	3/8 x 5	50	16
638LG	3/8 x 6	50	18
1/2" Diameter:			
2512LG	1/2 x 2 1/2	50	17
312.LG	1/2 x 3	50	19
3512LG	1/2 x 3 1/2	50	22
412LG	1/2 x 4	50	25
4512LG	1/2 x 4 1/2	50	28
512LG	1/2 x 5	20	30
612LG	1/2 x 6	20	35
5/8" Diameter:			
458LG	5/8 x 4	25	38
558LG	5/8 x 5	25	46
658LG	5/8 x 6	25	54
758LG	5/8 x 7	25	62
858LG	5/8 x 8	25	70

Pilot point available upon request on limited sizes.
Other sizes available upon request.
Fetter drive available upon request on limited sizes.



338LG

Bolts & Bolt Eyes

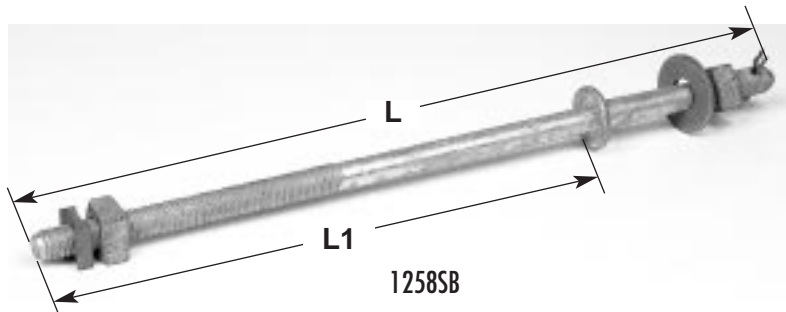
SPOOL, BOLT EYES, ANGLE



Spool Bolts

Used with spool insulators 355WSPG (not included). Flats on Collar provided for applying wrench.

Cat.No.	Diameter	L	L1	Std.Pkg.	Wt.-lbs./ C
858.SB	5/8	13-1/2	8	50	180
1058SB	5/8	15 1/2	10	50	195
1258SB	5/8	17 1/2	12	20	210
1458SB	5/8	19 1/2	14	20	225



Bolt Eye

For attachment to either or both ends of a double arming bolt.

Cat.No.	L	Slot	Std. Pkg.	Wt.-lbs./C
111BE	1	11/16	25	100
113BE	1	13/16	25	100



111BE

Angle Thimble Eyelet

-Drop forged steel

-Bent at 45° angle

-Used to assemble upper end of guy on ground before raising it to the pole top.

Cat.No.	Bolt Dia. Inches	Strand Dia.Inches	Strength (lbs.)	Std. Pkg.	Wt.-lbs. (100 Pcs.)
111ATE	11/16	3/16 TO 1/2	12400	50	134
113ATE	13/16	3/16 TO 1/2	18300	50	128



BOLTS & BOLT EYES



Clamps Aluminum

Deadend Strain Clamps

Features

Waved seat clamp for extra high holding power that exceeds requirements without damaging the cable. Conductor can be threaded through clamp without removing saddle. Lifting eye supplied on all sizes to facilitate hot line work. Hardware is galvanized steel; cotter pin is stainless steel.

Cat. No.	Type ASC-Aluminum				Dimensions in Inches					Ultimate Strength (Lb.)	
	Cable Range		Inches		A	B	C	D	E	Body	Eye
	Minimum	Maximum	Min	Max							
477SLA	No.6 STR.	- 3/0 STR. ALUM.	.18	.50	7 3/8	7/8	1	1 1/4	1/2	8000	4000
62SLA	No.2 STR.	- 300 MCM STR.	.30	.63	8 15/16	7/8	1	1 3/8	1/2	9000	5000
93SLA	3/0 STR.	- 556.5 MCM STR.	.46	.93	9 5/8	7/8	1	1 3/8	1/2	9000	5000
156ASC	477 MCM STR.	- 1800 MCM STR.	.79	1.56	14	7/8	1	1 3/8	5/8	12000	8000

Type MSC-Iron Hot Dip Galvanized

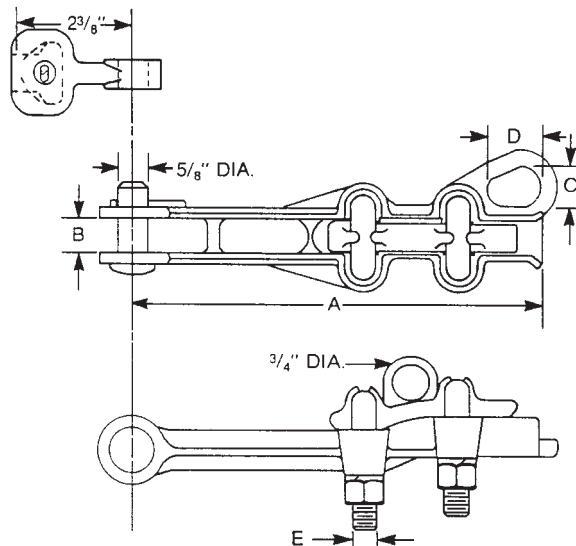
Available upon request.



477SLA



93SLA



Clamps Aluminum

LINE POST CLAMPS



Line Post Clamps

Aluminum

Cat.No.	ACSR Range	Std.Pkg.	Wt.-lbs./ C
563LCA	.25 - .563	25	145
106LCA	.50 - 1.063	25	145



106LCA



Clamps Aluminum

SADDLE LINE POST

Top Saddle Clamps

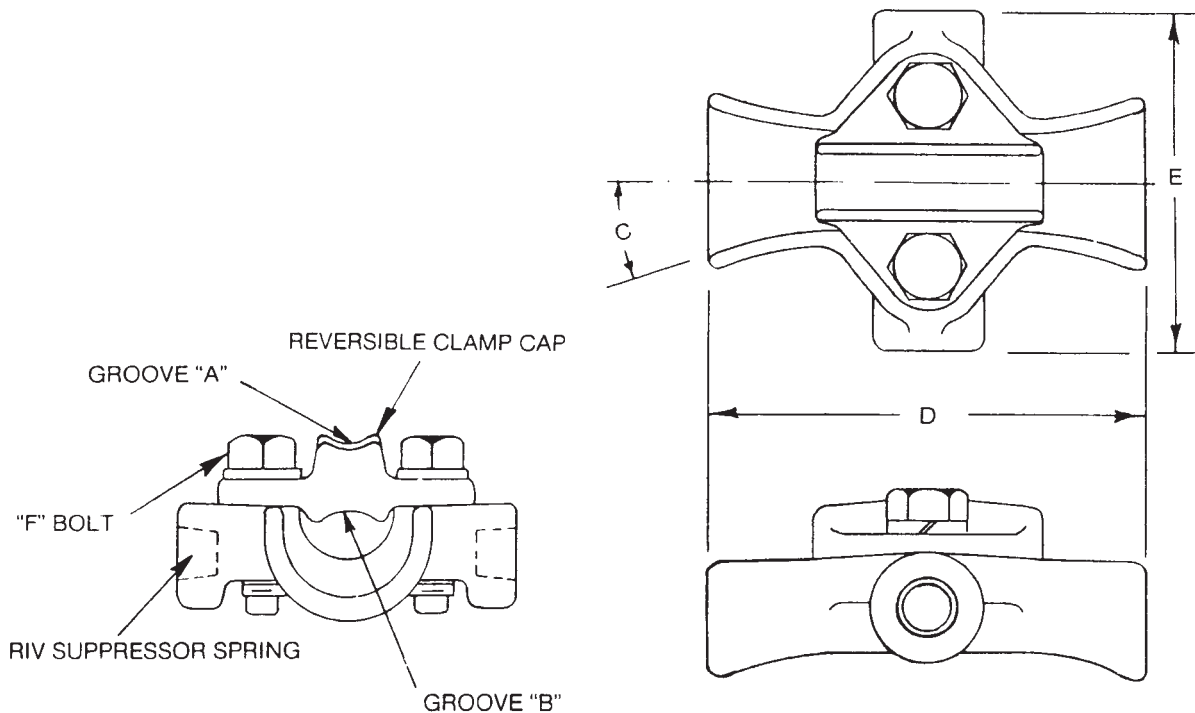
Specifications

Designed for use with all clamp top line post insulators. Keeper is reversible to accommodate a wide conductor range. Clamping bolts have ample thread lead to permit easy assembly. An RIV suppressor spring is installed in each clamp.

Cat.No.	Type ACTS-Aluminum					
	Groove "A"	Groove "B"	Line Angle 'C'	D	E	F
455106ACT	.50"-.68"	.68"-1.06"	0°-45°	5"	3 7/8"	1/2"

Malleable Iron-Type MCTS Hot Dip Galvanized

Available upon request.





Angle Suspension Clamps

Features

Type ACA clamps are recommended for ACSR and all aluminum conductors only. Liners are not required. Not recommended for copper or copperweld conductor. Clamps bodies and keepers are of high strength heat treated aluminum alloy. Hardware is hot dip galvanized steel, humpback cotter pin is stainless steel.

Cat. No.	Figure No.	Type ACA-Aluminum Cable Range				Dimensions in Inches Diameter				Ultimate Strength in Pounds
		ACSR		Inches		A	B	C	D	
		Minimum	Maximum	Minimum	Maximum					
6751ACA	1	#6-	266.8	.198-	.675	3 1/16"	4 1/16"	4 1/4"	1 1/8"	7,000
11251ACA	1	3/0-	795	.50-	1.125	4 1/8"	5 7/8"	5 1/4"	1 3/8"	12,000

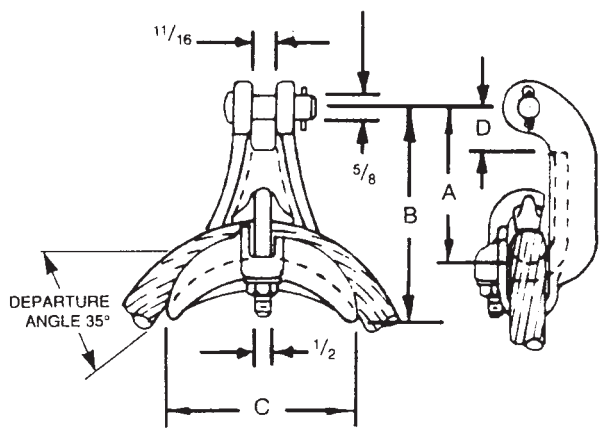


FIG. 1

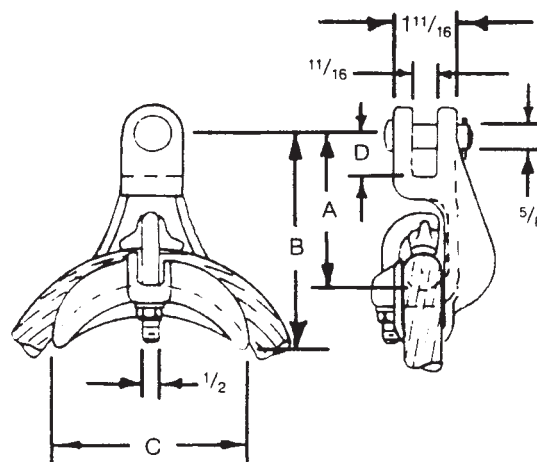


FIG. 2



Clamps Aluminum

Hot line Clamps

Features

Eyestem threads are enclosed in a permanently inhibited chamber for easy operation and corrosion protection. Heavy duty, multi-coil spring housed in the lower barrel, out of the current path, compensates for cable relaxation and cold flow. Extended beak and deep cable seat simplify installation and prevent clamps from "walking off" the cable during tightening. Heavy plated aluminum bronze eyebolt terminals provide additional contact area on the tap cable and are designed to pass the mercurous nitrate test giving assured protection against stress corrosion and seasonal cracking.

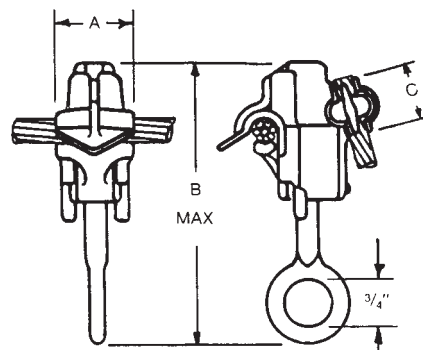
Cat. No.	Type AHT-Aluminum Cable Range-AWG or MCM				Dimensions Inches		
	Main		Tap		A	B	C
	Minimum	Maximum	Minimum	Maximum			
10HLCA	#8 to 1/0 ACSR (.128 to .398)	#8 SOL to 2/0 STR (.128 to .414)	#8 to #2 ACSR (.128 to .316)	#8 SOL to # 1 STR. (.128 to .328)	1 1/4	4 1/4	1 1/8
397HLCA	#8 to 397.5 ACSR (.128 to .743)	#6 SOL to 400 MCM (.162 to .726)	#6 to 4/0 ACSR (.162 to .563)	#6 SOL to 4/0 STR. (.162 to .522)	1 3/4	6	1 1/4



397HLCA

Cat. No.	Type BHT-Bronze Cable Range-Copper to Copper				Dimensions Inches		
	Main		Tap		A	B	C
	Minimum	Maximum	Minimum	Maximum			
820BHT	#8 SOL .128	2/0 STR. .414	#8 SOL .128	2/0 STR. .414	1 1/4	4 1/4	1 1/8
640BHT	#SOL .162	400 MCM .726	#6 SOL .162	250 MCM .574	1 3/4	6	1 1/4

Note: For electro-tin-plated connectors add suffix "GP"
For Connectors pre-inhibited and individually packed in polybags add suffix "XB".



Clamps

GUYING CLAMPS



CLAMPS

Standard Guy Clamps

Cat. No.	No. & size of bolts	Clamp Length	Clamp Section	Std.Pkg.	Wt.-lbs./ C
Medium Duty for use with 1/4" to 7/16" strand:					
212GU	2 pcs @ 1/2" dia	3-3/8"	1.9/16" x 3/8"	50	140
312GU	3 pcs @ 1/2" dia	6"	1.9/16" x 3/8"	25	240
Heavy Duty for use with 5/16" to 7/16" strand:					
358GU	3 pcs @ 5/8" dia	6"	1.9/16" x 3/8"	20	290



212GU



358GU

Messenger Clamp and Corner Messenger Clamp

Used to support cables on long spans-also used with cable extension arms. Mounting bolt 5/8" diameter (not supplied) except 7434CMC- 3/4" diameter.

Cat. No.	Strand Size	Std.Pkg.	Wt.-lbs./ C
558MC	1/4 - 7/16	25	210
7458CMC	1/4 - 7/16	25	260
7434CMC	1/4 - 7/16	25	260



558MC



7458CMC

Sidewalk Guy Fitting (for 2" Pipe)

The pole plates and clamp fittings are fastened to the pipe with set screws. Pipe not included. Mounted with 1/2" lag bolts (not included)

Cat. No.	Std.Pkg.	Wt.-lbs./ C
540SGF	10	700
541SGF	10	500



540SGF



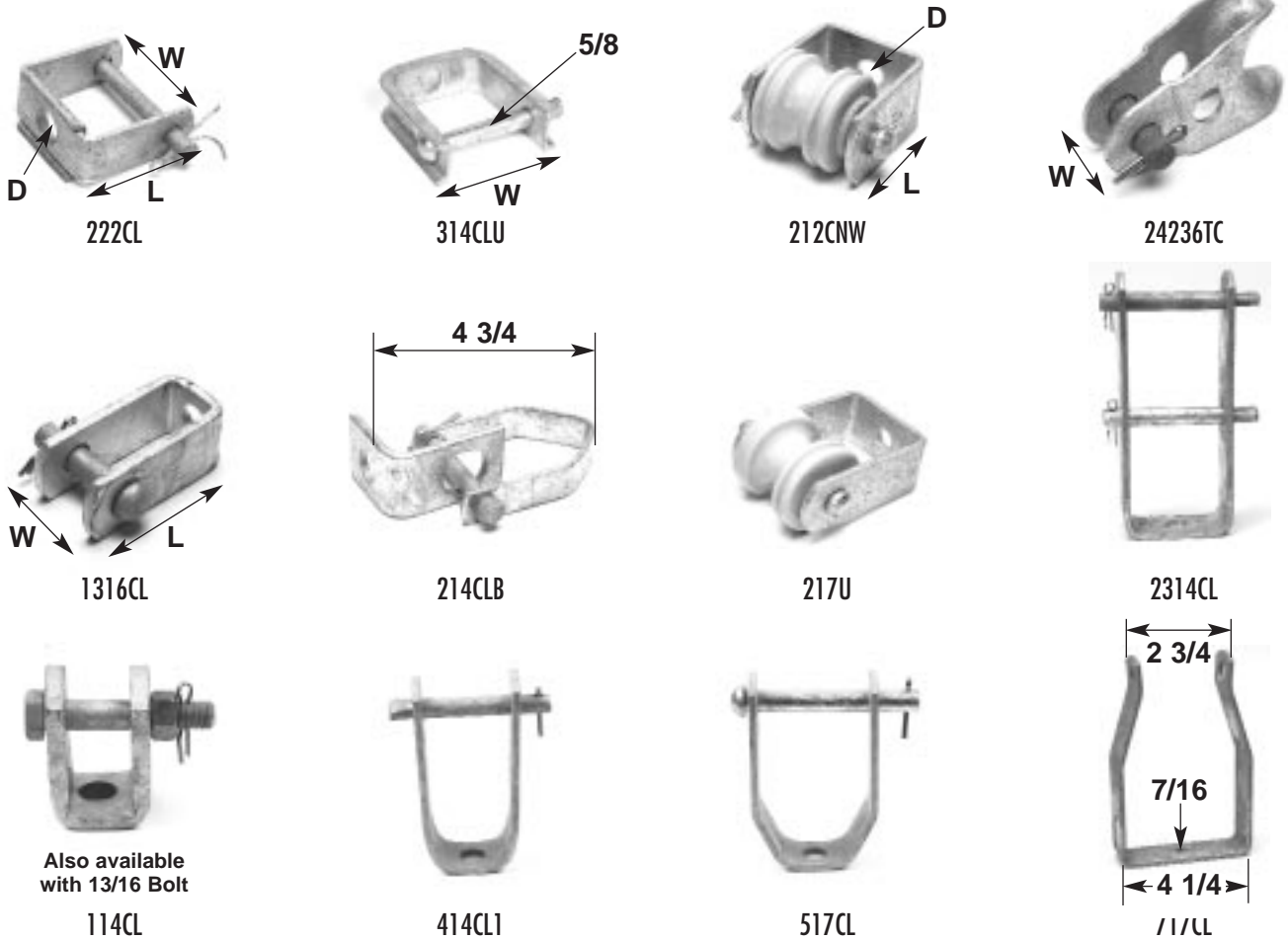
541SGF



Steel Clevises

Cat.No.	D	L	W	Steel Section	Description	Std.Pkg.	Wt.-lbs./ C
222CL	11/16	2	2-1/4	11 ga x 1		20	38
414CL	11/16	4-1/4	2-1/4	3/16 x 1-1/2		25	100
517CL	11/16	5-1/4	3-1/8	3/16 x 1-1/2		25	120
212CNW	11/16	2-1/2	2-1/4	3/16 x 1-3/4	C/W Wet insulator	25	140
314CL	11/16	4	3-1/4	1/4 x 2		10	220
314CLU	11/16	3-1/2	3-1/4	1/2 x 1-1/4	Channel Type	25	160
1316CL	11/16	3	1-3/16	1/4 x 1/2		25	180
114CL	13/16	2	1-1/4	3/8 x 2	Bolt head clevis	25	190
414CL-1	11/16	4 1/4	2 1/4	3/16 x 1 1/2	-	25	100
314CLU-OH	13/16	3 1/2	3 1/4	1/2 x 1 1/4	Channel Type	25	160
24236TC	2-3/16	3/4		10 ga.	"pig's ear" tens. 10M # yield 6M #	50	80
214CLB	11/16	4-3/4	2-1/4	11 ga & 1/4	Swivel clevis	25	105
214CLA	11/16	4-3/4	2-1/4	11 ga & 1/4	Straight clevis	25	105
214CL	11/16	4-3/4	2-1/4	11 ga & 1/4	Clevis only c/w Insulator	25	120
2314CL	11/16	8	3-1/4	1/4 x 2	Double clevis	20	290

All Clevises accommodate Spool Insulators #1606WSPG and #355WSPG, see page 36.



Bracket Adapters

MOUNTING & CLEVIS



Mounting Bracket Adapter

3/8 thick c/w 1/2" Hardware and 9/16 hole.

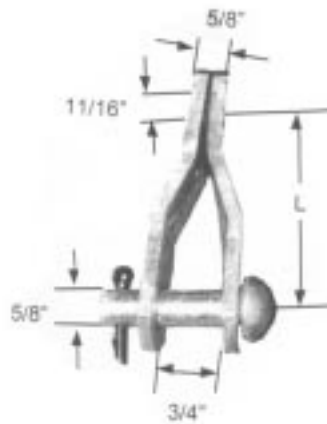
Cat.No.	Length	Hole Size	Std. Pkg.	Wt.-lbs./ C
85MBA	8-1/2"	7/16	25	200



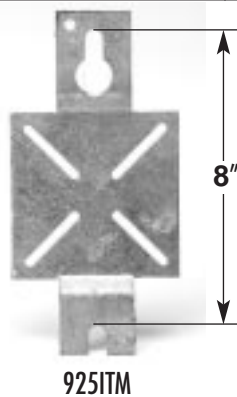
Clevis Adapter

Cat.No.	Length	Clevis Width	Hole Size	Std. Pkg.	Wt.-lbs./ C
HGTFI-CA	3"	13/16	11/16	25	100

Other sizes available upon request.



Cat.No.	Description	Hole Size	Std. Pkg.	Wt.-lbs./ C
925ITM	4 1/2 x 4 1/2	9/16	25	100





Communication Hardware

WEDGE GRIPS & DRIVE HOOKS

Drive Hook

Hot dip Galvanized. C.S.A. Drawing No. H-3.

Cat.No.	D	L	Std. Pkg.	Wt.-lbs./ C
765DH	7/16" Diameter	5"	100	36



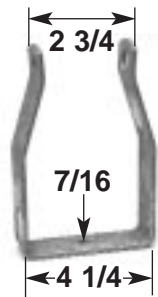
765DH

Shackle: Dead End

Fits a 3 1/4 x 4 1/4 cross arm - used to break or dead end bare signal wires.

Cat. No.	Hole Size	Std.Pkg.	Wt.-lbs./ C
717CL	3/8	25	300

Comes complete with 5/8 x 3" Button Head Rivet.



717CL

Wedge Grips

Cat.No.	Flexible Bail No.	Range			Std.Pkg.	Wt.-lbs./ C	Blackburn Cross Reference (Solid Bail)
		Wire Stranded	Solid	A.C.S.R.			
14WG	14WGF	1 - 4	1 - 4	2-6	50	17	W62AA
103WG	103WGF	1/0-3	1-2	1/0 - 4	50	32	W20AA
4020WG	4020WGF	4/0-2/0	-	4/0 - 1/0	50	35	W40AA



14WG



14WGF

COMMUNICATION
HARDWARE



CLAMPS

Kling Clamp

Made from 16 gage galvanized steel complete with 3/8 bolt, 2 washers and hex nut.

Cat.No.	Hole Diameter	Clamp Size	Wt.-lbs./ C
516CK	1/2"	3/4" space	25



516CK

Wire Drop Clamp

Hook style. Can be used without U bolt.

Cat.No.	Description	Std.Pkg.	Wt.-lbs./ C
2513	5/16 U Bolt c/w Drop Wire Hook	50	50



2513

Wire Drop Clamp

Oval Eye Style. Can be used without U Bolt.

Cat.No.	Description	Std.Pkg.	Wt.-lbs./ C
2515	5/16 U Bolt c/w Eye	50	50



2515

Neutral Clamp

- Aluminum alloy suspension clamp is designed to support triplex secondary conductors at the pole.
- One clamp section is tapped for mounting on a 5/8" through bolt.
- Allows use of clamp on shallow angles up to 10 degrees as well as straight runs.

Cat.No.	Description	Conductor Range	Wt.-lbs./ C
240TSC	Aluminum suspension - Triplex Clamp	2 to 4/0 ACSR	50



240TSC



Communication Hardware

CLAMPS & POLE STEPS

Parallel Groove Clamp

Top and bottom castings are malleable iron, Hot dip galvanized.
Spacer is tinned bronze for use on aluminum and copper.

Cat.No.	Cable Sizes		Std.Pkg.	Wt.-lbs./ C
	Maximum	Minimum		
4468PGC-38	4/0-4/0 Str	# 6 SOL - # 8 SOL	100	56



4468PGC-38

Standard Pole Step

Threads are fether drive-driving surface is flat.

Cat.No.	D	L	Std. Pkg.	Wt.-lbs./ C
10 SPS	5/8"	10"	50	90



10 SPS

Wire Clip

Made of 16 gage galvanized steel.

Cat.No.	Hole Size	Wire Size	Std. Pkg.	Wt.-lbs./ C
1 CDW	3/16	5/16	500	1



1 CDW

Clamp

Lashing Wire Clamp - Galvanized formed steel clamp used to terminate the cable lashing wire.

Cat.No.	Strand Size	Std. Pkg.	Wt.-lbs./ C
LWC10	1/4 - 7/16	100	3



LWC10

Dead End Clamp

For Copper wire and ACSR.

Cat.No.	Description	No. of Clamps	Std. Pkg.	Wt.-lbs./ C
610DC	6 SOL Copper - 1/0 str. copper	1	100	55



1 3/4

1 1/4

610DC

COMMUNICATION
HARDWARE

Cross Arm Braces

BRACES



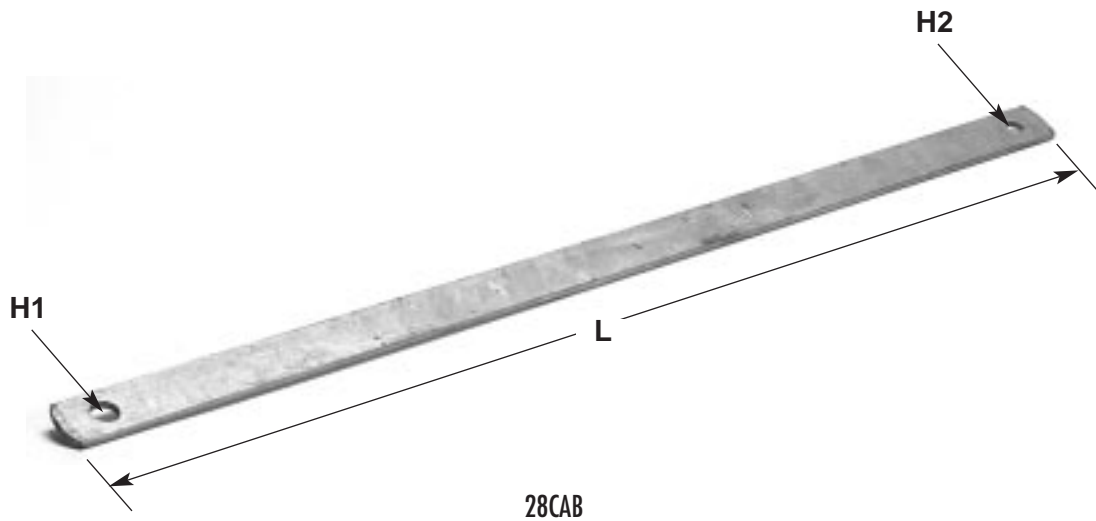
Cross Arm Braces

Galvanized steel, flat. One end is punched for a 3/8" bolt and the other end for a 1/2" lag screw.

C.S.A. Specification C-83, Drawing B-1: Stock size 1-1/4 x 3/16 and 1-1/2 x 3/16

Cat. No.	L	H1	H2	Std.Pkg.	Wt.-lbs./ C
18CAB	18"	13/32"	17/32"	25	112
20CAB	20"	13/32"	17/32"	25	128
22CAB	22"	13/32"	17/32"	25	144
24CAB	24"	13/32"	17/32"	25	160
26CAB	26"	13/32"	17/32"	25	176
28CAB	28"	13/32"	17/32"	25	192
30CAB	30"	13/32"	17/32"	25	208
32CAB	32"	13/32"	17/32"	25	212
34CAB	34"	13/32"	17/32"	25	232
36CAB	36"	13/32"	17/32"	25	248
28CAB-1	28"	13/16"	9/16"	25	192
32CAB-MH	32"	13/32"	17/32"	25	235

Add suffix 13 when end holes are required with 13/16" diameter.





Distribution

BRACKETS FOR CUT OUT SWITCHES & ARRESTORS

Mounting Brackets For Cutouts, Arrestors and Switches (Pole Mounting)

Cutout/arrestor bracket comes with 1/2" threaded bolts, lockwashers and nuts for equipment mounting.

Cat.No. 15BCA - with one 1 1/16" mounting hole, made from channel for pole mounting, 14-1/8" long, slanted tip.

Cat.No. 152BCA - with one additional 7/16" mounting hole, straight tip.

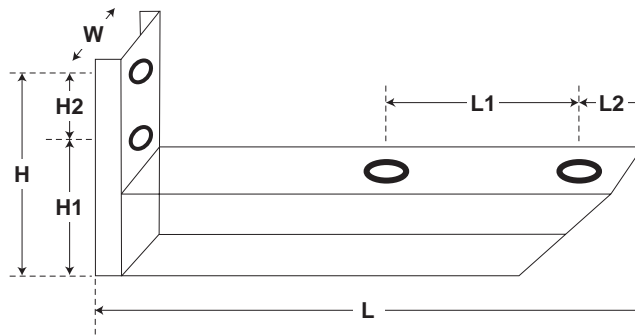
Cat.No. 201BCA - As above, but 20" long and welded construction.

Cat.No. 243BCA - 24" long, one 1 1/16" mounting hole, welded construction, slanted tip.

Cat. No.	Construction	L	L1	L2	H	H1	H2	W	End	Hardware
13BCA	Structural Channel	15.00"	4.75"	0.80"	8.25"	4.12"	2.75"	2.00"	Straight	1/2-13 x 1-1/4
15BCA	Structural Channel	14.38"	4.75"	0.88"	7.81"	3.58"	5.08"	2.00"	Angle	1/2-13 x 1-1/2
152BCA	Structural Channel	14.38"	4.75"	0.88"	7.71"	3.58"	5.08"	2.00"	Straight	1/2-13 x 1-1/2
154BCA-NB	Fabricated Channel	16.38"	4.87"	0.75"	7.00"	0.62"	3.75"	2.50"	Angle	1/2-13 x 1-1/2
18BCA	Fabricated Channel	18.75"	9.31"	0.75"	7.00"	3.75"	1.62"	2.50"	Angle	1/2-13 x 1-1/2
195BCA	Structural Tubing	20.00"	9.31"	0.75"	7.87"	3.75"	1.62"	2.50"	Straight	1/2-13 x 2-1/2
201BCA	Fabricated Channel	20.00"	9.31"	0.75"	7.00"	3.75"	1.62"	2.50"	Angle	1/2-13 x 1-1/2
241BCA	Structural Tubing	24.25"	13.38"	0.75"	7.25"	3.75"	1.75"	2.50"	Angle	1/2-13 x 3-1/4
242BCA	Structural Tubing	24.25"	13.38"	0.75"	7.25"	0.50"	3.875"	2.50"	Straight	1/2-13 x 3-1/2
243BCA	Fabricated Channel	24.00"	9.31"	0.75"	7.00"	0.50"	3.875"	2.50"	Angle	1/2-13 x 1-1/2
245BCA	Structural Tubing	24.69"	14.00"	0.75"	7.87"	1.00"	3.00"	4.00"	Straight	1/2-13 x 2-1/2

All brackets conform to C.S.A. C83-118-12-1985
Other sizes and shapes available on request.

251LAB	Structural Tubing	20.00"	1.57"	1.00"	8.07"	1.00"	6.00"	4.33"	Straight	1/2-13 x 3
252LAB	Structural Tubing	20.00"	1.57"	1.00"	8.07"	1.00"	6.00"	4.33"	Straight	1/2-13 x 2



152BCA



234BCA



251LAB

Distribution

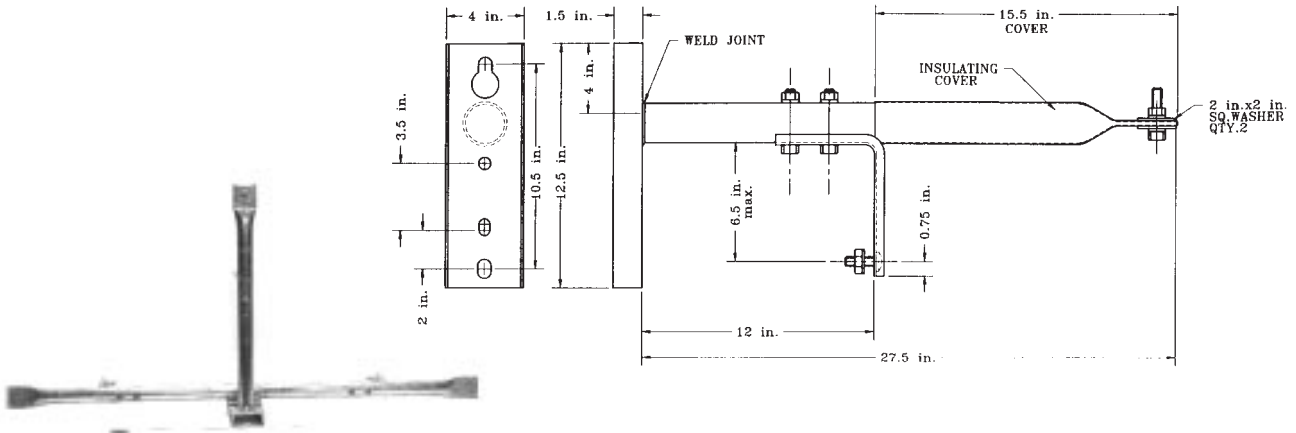
CUT OUT ARRESTOR BRACKETS



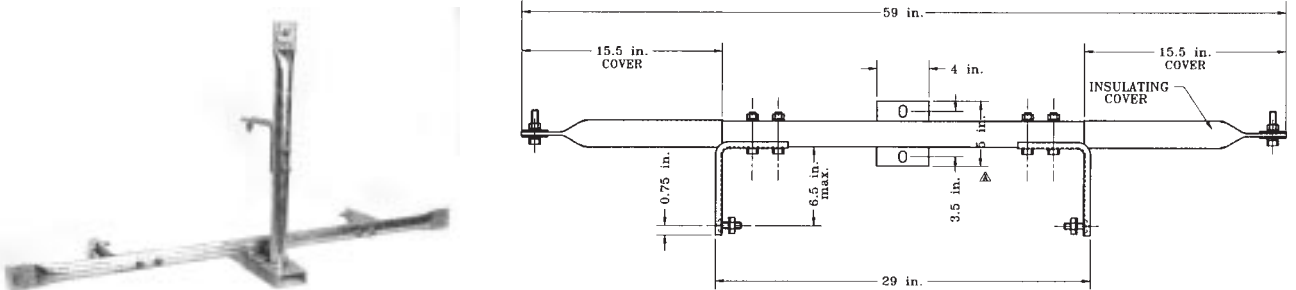
Cut Out Arrestor Brackets

- Available in single phase, two phase and three phase.
- Rubber coating on all phases.
- Tubular style.
- Easy installation.

Cat.No.	Description	Pkg.Qty.
12712CAB	Single phase	1
25929CAB	Two phase	1
35929CAB	Three phase	1



NOTE: SUPPLIED WITH 1/2 in. HEX BOLTS, NUTS, AND LOCK WASHERS



NOTE: SUPPLIED WITH 1/2 in. HEX BOLTS, NUTS, AND LOCK WASHERS

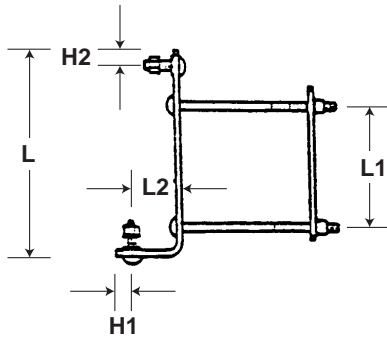


Distribution

CUTOUT & ARRESTOR BRACKETS

Mounting Brackets for Cutouts and Arrestors (Cross Arm Mounting)

Cat.No.	L (inches)	L1 (inches)	L2 (inches)	H (inches)	H1 (inches)	H2 (inches)	Single Bolt	Hardware Used	
385CMB	8.375	6.89	4.87		3/4		1/2 x 1-1/2 CB	3/8 x 7 CB	c/w Ground Lug on Angle Bracket
387CMB	10-7/8	7-5/8			3/4	3/4	1/2 x 1-1/2 CB x 2 Bolts	3/8 x 7 CB	
3856CMB	19-3/4	6.89			3/4		1/2 x 1-1/2 CB	3/8 x 7 CB	
3872CMB	10-7/8	7-5/8			3/4	3/4	1/2 x 1-1/2 CB 1/2 x 2 CB	3/8 x 7 CB	
386CMB	7-7/8	7-7/8	4-13/16	2-1/4	3/4		1/2 x 1-1/2 CB	3/8 x 6 CB	
4738CMB	7-1/2	6-3/4	5-7/8 3-1/2	1-1/2	3/4		1/2 x 1-1/2 CB	3/8 x 6 CB	
388CMB	8	N/A	8		3/4		1/2 x 1-1/2 CB		
3861CMB	7-7/8	N/A	5		3/4		1/2 x 1-1/2 CB		
3857CMB	19-3/4	N/A			3/4		1/2 x 1-1/2 CB		



385CMB

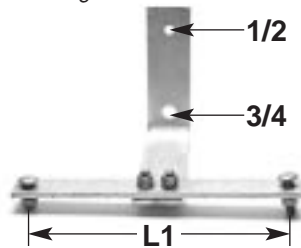


387CMB

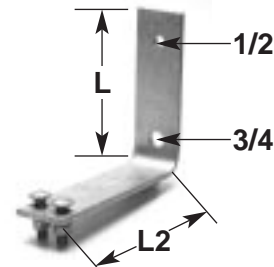
Pole Mounting Bracket

Cat.No.	L (inches)	L1 (inches)	L2 (inches)	H1 (inches)	Hardware	Std.Pkg.	Wt.-lbs./ C
411PMB	7.937	13-1/2	9	1"	1/2 x 2 CB x 1 pc	5	700
415PMB 2025PMB	7.937	- 10	9	1"	1/2 x 1-1/2 CB x 3 pcs 1/2 x 2 CB x 2 pcs	10	400

Available with 13/16 mounting holes - add suffix 13.



411PMB



415PMB

DISTRIBUTION

Distribution

TRANSFORMER MOUNTING



DISTRIBUTION

Transformer Cluster Mount

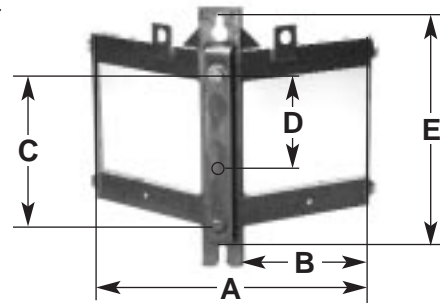
For mounting 3 transformers with the following maximum weights:
 40TCM up to 3 x 650 lbs.
 65TCM up to 3 x 1300 lbs.
 100TCM up to 3 x 2250 lbs.
 Bolts for mounting transformers included. Lifting eye provided.

Cat.No.	Dimensions					Std.Pkg.	Wt.-lbs./each
	A	B	C	D	E		
40TCM	29 7/8	11 3/8	15	-	23.1/2	1	40
65TCM	34 1/4	12 7/8	22	15	30.1/2	1	65
100TCM	34 3/8	12 1/8	29	22	37.1/2	1	100
* 654TCM	34 1/4	12 7/8	22	15	30.1/2	1	65
652TCM	34 1/4	12 7/8	22	15	30.1/2	1	67

Holes are provided for grounding clamps, insulator pins and stabilizing braces.
 Stabilizing brackets available upon request.
 *with stabilizer bracket



Stabilizer Bracket



65TCM

Transformer Mounting Bracket – Medium Duty

Made from 1/4" plate suitable for transformers up to 1300 lbs. weight. 2 plates required per transformer (top and bottom plate has lugs to prevent the transformer from being jarred off the pole. 5/8" mounting bolts not included.

Cat.No.	Std. Pkg.	Wt.-lbs./ each
1414TMB	2 (1 set)	4.1/2 (9 set)

Heavy Duty

Made from 3/8" steel plate, hot dip galvanized. For Transformers up to 2,000 lbs. Top plate has anti-jarring lugs. 3/4" mounting bolt not included.

Cat.No.	Std. Pkg.	Wt.-lbs./ each
3814TMB	2 (1 set)	.12 (24 set)



1414TMB



Distribution

TRANSFORMER MOUNTING

Universal Mounting Bracket with Adapter Plates

Universal mounting bracket consists of 3 brackets and one plate bolted together. Bolts and grounding clamp included. 3 only 3/4" mounting bolts also included.

Horizontal adapter plate for transformers with 15", 22" or 29" bracket spacing - 5/8" mounting bolts and washers included.

Vertical adapter plate for transformers with 15" mounting bracket- 3/4" mounting bolts and washers included or 11/16" hardware.

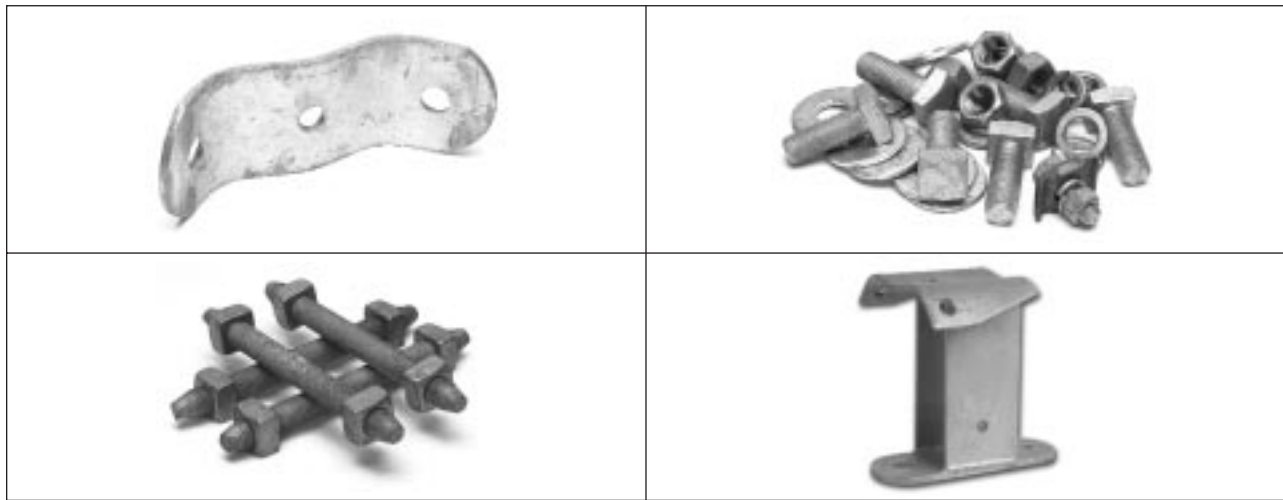
Cat. No.	Description	Std. Pkg.	Wt.-lbs./ each
65UMB	Universal mounting bracket (2-phase type)	1	36
95UMB	Universal mounting bracket (3-phase type)	1	45
95UMB-13	3 phase c/w 13/16 Keyhole	1	45
35UMB-13	Single phase c/w 13/16 Keyhole	1	25
35UMB	Universal mounting bracket 1-phase	1	25
14HAP	Horizontal adapter plate	6	7
15VAP	Vertical adapter plate	9	6
15VAP-11	Vertical adapter plate -11/16 hole c/w 3 bolts	9	6

3 methods of installation:

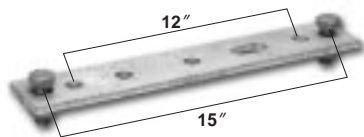
#1: Using 2 sets of 95UMB spaced vertically to fit transformers with 15", 22" or 29" brackets - 3/4" mounting bolts (included in 95UMB package).

#2: Using 1 set of 95UMB with 15VAP vertical adapter plates - 3/4" mounting bolts.

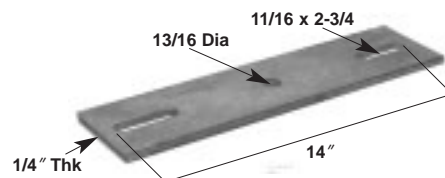
#3: 2 sets of 95UMB with 2 sets of 14HAP horizontal adapter plates- 5/8" mounting bolts- for transformers without direct pole mounting feature.



95UMB (Kit)



15VAP



14HAP

Distribution Hardware

STRAIN YOKES

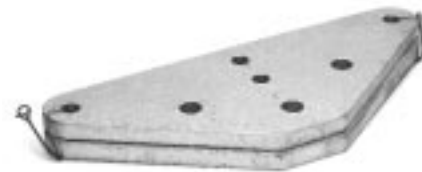
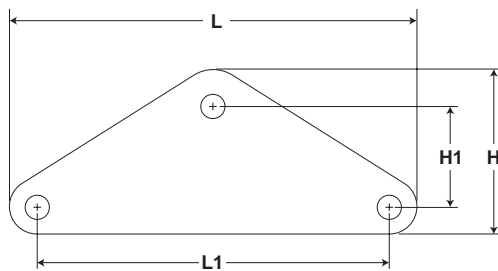


Strain Yokes

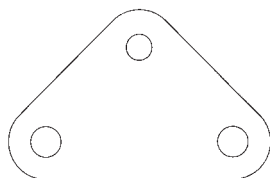
Used on transmission lines to suspend 2 wires from a suspension insulator. Standard design has 3 holes only. Additional holes can be provided on request.

- Customized yoke plates available upon request.

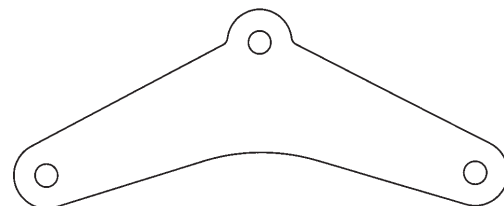
Cat.No.	L	L1	H	H1	Thickness	Min. Rated
5SY	7"	5.00"	4.5"	2.5"	.500"	
8SY	10"	8.00"	6.75"			
13SY	15"	13.00"	6.00"	3.69"	.625"	25,000LBS.
18SY	20"	18.00"		4.187"	.625"	30,000LBS.
13SYM	14"	13.00"	5.74"	3.94"	.625"	25,000LBS.
12SYB	14"	12.00"	6.00"	5.00"	.625"	
1334SY	15"	13.00"	6.75"	3.69"	.750"	
132SY	15"	13.00"	6.00"	3.69"	.625"	



132SY



5SY



Available upon request



Insulators (Porcelain)

STRAIN, SUSPENSION, SPOOL, PIN TYPE

Wet Insulators

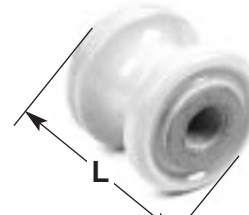
Cat. No. Hydel	K.V.L.F CdnPorc	COB	L (")	W (")	Flashover (Dry)	Flashover (Wet)	Nominal KV	Pin Diameter	Minimum Pin Height	Std.Pkg.	Wt.-Lbs. / C	ANSI Class No.
Spool Insulator (WSPG):												
1606WSPG	2011	----	2-1/8	2-1/4	20	8/10	8 (vert) 10 (hor)	1/2	120	50	51	53-1
355WSPG	2012	----	3	3-1/8	25	12/15	12 (vert) 15 (hor)	5/8	50	50	126	53-2
Guy Strain Insulator (WGS):												
502WGS	502	3-1/2	2-1/2	25	12	5/8		5/8	50	50	100	54-1
504WGS	504	31504	4-1/4	2-7/8	30	15	4.4	1/2	40	50	170	54-2
506WGS	506	32506	5-1/2	3-3/8	35	18	6.6	5/8	20	25	240	54-3
451WGS	451	31352	6-3/4	3-1/2	40	23	6.6	5/8	20	25	455	54-4
Pin Type Insulator (WPT):												
505WPT	28085	100231	3-1/4	3-3/4	50	25	7.2	1	3-3/4	32	164	----
555WPT	555	12847	3-1/4	3-3/4	50	25	7.2	1	3-3/4	32	154	55-2
5916WPT	5916.Q	38148	3-3/4	4-3/4	65	35	13.2	1	4-3/4	24	238	55-3
2783WPT	2783.Q	38149	4-1/2	5-1/2	70	40	13.2	1	4-3/4	18	350	55-4
2785WPT	2785.Q	38151	4-5/8	7	85	45	15	1	6	8	600	55-5
3930WPT	3930.Q	38222	6-1/4	9	110	70	23	1-3/8	7	3	1200	56-2
4575WPT	4575.Q	38223	7-1/2	10 1/2	125	80	36	1-3/8	8	3	1900	56-3
4830WPT	4830.Q	38255		12	140	95	36	1-3/8	10	3	2935	56-4
Suspension Insulator (WSU):												
26434WSU	28674	42399	6-1/4	4-1/4	50	30	6	5/8		6	630	----
8080WSU	28676	32433	5-1/2	6	60	30	6	5/8		6	680	52-1
6500WSU	6500	32439	5-3/4	10	80	50	16	5/8		6	1200	52-4



504WGS



506WGS



355WSPG



2783WPT



3930WPT



8080WSU

INSULATORS (PORCELAIN)

Grounding

RODS & PLATES



Ground Rods, Galvanized

All Ground Rods come with cone point.

Cat.No.	Size	Pkg.Qty.	Wt.-lbs./ C
1205G	1/2 x 5'	10	330
1206G	1/2 x 6'	10	395
1207G	1/2 x 7'	10	460
5806G	5/8 x 6'	10	600
5807G	5/8 x 7'	5	700
5808G	5/8 x 8'	5	800
5810G	5/8 x 10'	5	1000
3406G	3/4 x 6'	5	900
3408G	3/4 x 8'	5	1200
3410G	3/4 x 10'	5	1500
3420G	3/4 x 20'	1	3000
1008G	1 x 8'	3	2200
1010G	1x 10'	2	2500
Black Ungalvanized Ground Rods:			
5808B	5/8 x 8'	5	800
5810B	5/8 x 10'	5	1000



3410G

Grounding Plate

One grounding plate. One ground connector. Shallow pit required. No power equipment required. Ground plates are easy to carry and transport. One ground plate weighs only 11 lbs. each. Pit in which ground plate rests must remain open until inspection has taken place.

Cat.No.	Description	Pkg.Qty.	Wt. Ea.
Ontario / Atlantic / British Columbia:			
1016.GPGC	1/4" x 10" x 16" plate c/w bronze grounding connector, galvanized #733.C, wire range #8 to 3/0	4	11.5 lbs.
1016.GPG	10" x 16" grounding plate less connector, galvanized	4	11 lbs.
Alberta:			
1016 GPL	1/4" x 10" x 16" black plate, not galvanized	4	11 lbs.
1016 GPC	1/4" x 10" x 16" black plate, c/w connector, not galvanized	4	11.5 lbs.

CSA approved and stamped.
Also available with 3/4" shank.



1016.GPGC



Grounding Connectors

CONNECTORS

Connectors

(Galvanized Steel)

Cat. No.	Size	Pkg. Qty.	Wt.-lbs./ C
712	1/2" rods	50	65
725	5/8-3/4 rods	50	65
710	3/4 -1" rods	50	70
714R	1/2" strand	50	45
Connector (Malleable Castings)			
758	5/8-1" rods	100	20
758C	5/8-1" bronze	100	20



710



758



714R

Bronze Grounding Connectors

Cat.No.	Rod Size	Maximum Wire Size	Wt.-lbs./c
712C	1/2"	1/0 Str.Cu.	27
729C	5/8"	# 2 Str.Cu.	17
733C	3/4"	3/0 Str.Cu.	23
734C	3/4"	4/0 Str.Cu.	36
710C	1"	25 OMCM Str.Cu.	100
120CU	1" - 5/8"	2/0 Str.Cu.	68
1250CU	1" - 5/8"	25 OMCM Str.Cu.	68



729C



120CU

Ground Rod Driver

– is made of 1.1/2" double extra heavy steel pipe 4' with a steel plug doweled & welded in the top end.

Cat.No.	Size	Pkg. Qty.	Wt.-lbs/ C
780	5/8-3/4"	1	2700
Ground Rod Driver Extension			
781	5/8 x3/4"	1	1500
Sectional threadless Coupling for Galvanized threadless Rods			
34 SGC	Zinc 3/4	25	33
58 SGC	Zinc 5/8	25	33



34 SGC

GROUNDING CONNECTORS

Grounding

COPPER CLAD RODS



Copper Clad Ground Rods And Connectors

Rods are bundled in bundles of 5, connectors packaged in packages of 20.

Cat. No.	Size	Wt.-lbs./ C
5806CC	5/8 x 6'	580
5808CC	5/8 x 8'	640
5810CC	5/8 x 10'	800
3406CC	3/4 x 6'	720
3408CC	3/4 x 8'	960
3409CC	3/4 x 9'	1,080
3410CC	3/4 x 10'	1,200
1010CC	1 x 10'	2,130
Sectional Copper Clad Rods		
5808SC	5/8 x 8'	640
5810SC	5/8 x 10'	800
3408SC	3/4 x 8'	960
3410SC	3/4 x 10'	1,200
Couplings		
12SC	1/2"	15
58SC	5/8"	26
34SC	3/4"	42
10SC	1"	85
Driving Studs		
12DS	1/2"	15
58DS	5/8"	23
34DS	3/4"	35
10DS	1"	81

Sectional copper clad rods are threaded at top and bottom. Two or more rods may be coupled together to make up the desired length. Threaded couplings are made of bronze.

Driving studs are made of high strength carbon steel and are used to prevent damage to top-end threads or couplings- 1 stud required every 2 rods.



58SC



34DS



Grounding

PLATES & BOXES

Copper Grounding Connection Plate

- made of hard copper with slots for # 6 copper wire connectors. Attached to pole with 1/4" lag bolts. Connectors and bolts not included.

Cat. No.	Size	Std.Pkg.	Wt.-lbs/ C
790	Slotted plate (3 Connectors)	20	30
791	Slotted plate (6 Connectors)	20	60



791



790

Inspection Grounding Boxes

Cat.No.	Size	Std.Pkg.	Wt.-lbs./C
700	10" diameter. x 12" deep (Hot dip Galvanized)	5	1200
724	10" diameter. x 24" deep (Hot dip Galvanized)	1	2400
770	10" diameter. x 12" deep (made from Galvanized Steel)	5	1200
Also 700A, 770A etc. for assembled units.			
711R	Rectangular Inspection Box 6-1/2" x 11-1/2" x 10"	1	1000



711

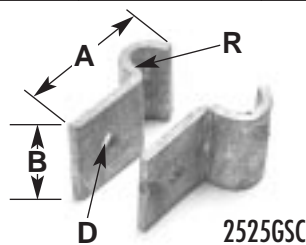


700

Ground Wire Clips

- Made from 1/8" x 3/4" mild steel
- Used to fasten ground wires on steel structures
- Accommodates conductor range of 1/0 to 2000MCM AWG stranded copper

Cat.No.	A inches	B inches	D inches	R inches	Wt.-lbs. (100 pcs.)	Std.Pkg.
2525GSC	1-1/2	3/4	9/32	3/16	4.5	100
2526GSC	1-1/2	3/4	9/32	15/16	6	100



Grounding

GRADIENT MATS & STAPLES

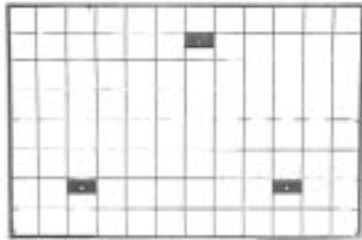


GROUNDING

Gradient Control Mat

- Hot dip galvanized, used at switch position in sub-stations.
- Made from 6" x 6" welded mesh 1/4" diameter with pads for installation of 3 grounding connectors.
- Grounding connectors 2/0 AWG-250 MCM included in Cat.No. 6466 GCC x 3 pieces.

Cat. No.	Size	Std.Pkg.	Frame	Wt.-lbs./ each
6466GCM	6" x 4"	1	3/4 x 3/4	35
6466GCC	6" x 4"	1	3/4 x 3/4 c/w conn x 3 pcs.	37
6466GCM1	6" x 4"	1	3/4 x 3/4 (No Connector Pads)	35
6466GCM3	6" x 4"	1	1" x 1"	35
6466GCM5	6" x 4"	1	1/4 x 1 1/4 x 1 1/4	35
6466GCM6	6" x 4"	1	1/4 x 1 1/2 x 1 1/2	35



6466GCM



2AWGC

Plastic and Wood Ground Wire Moulding

Cat. No.	Size	Std.Pkg.	Wt.-lbs./ each
701	3/4" plastic moulding in 8' lengths-use # 703 staples	25	2
701W	1/2" wood moulding in 8' lengths	10	2
Staples (Galvanized)			
702	2" staple x 1/2" spread	100	3
703	2" staple x 13/16" spread	50	3
704	3" x 1" spread	50	12
705	3" x 1.1/2" spread	100	8
707	1.1/4" x 3/8" spread	100	1
708	2" x 1 1/16" spread	100	3
709	3" x 1 1/16" spread	100	7
713	3" x 1 3/4" spread	50	8

Other sizes available upon request.



701W



703



707



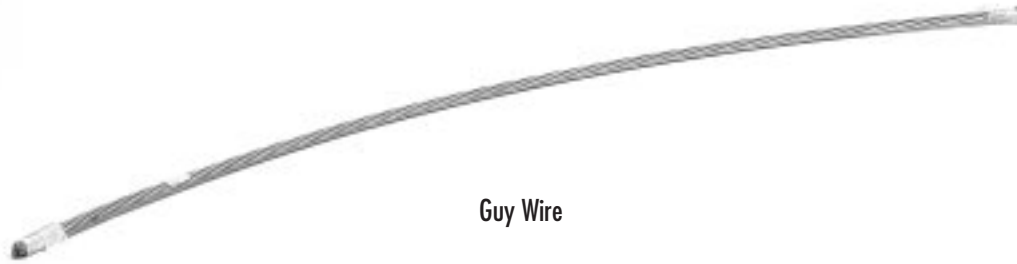
Guying

GUY WIRE

Guy Wire

C.S.A. standard guy strand formed from 7 individual strands and hot dip galvanized (4 immersion).

Cat. No.	Diameter	Grade and breaking strength lbs.				Wt.-lbs./ C ft.	Wt.-lbs./ C mtrs.
		50	110	160	180		
14GW	1/4"	1,800	3,950	5,750	6,450	12.9	42.31
516GW	5/16"	3,100	6,800	9,900	11,150	22.2	72.82
38GW	3/8"	3,750	8,250	12,000	13,500	27.0	88.56
716GW	7/16"	5,410	11,900	17,300	19,500	38.8	127.26
12GW	1/2"	7,100	15,600	22,700	25,500	51.0	167.28



Guy Wire

Standard coil and spool sizes carried in stock

Spools:	5,000 feet (1525 meters)	2,500 feet (762.5 meters)
Coils:	500 feet (152.5 meters)	250 feet (76.25 meters)

When ordering, order by Catalogue number length and grade. Please also specify spool or coil.

Prices vary only with diameter and grade, not with the size of spool or coil.

A cutting charge applies to all special size spools and coils.

A deposit charge applies to all spools with less than 2,500 feet of wire.

Aluminum Tie Wire

Cat.No.	Description	Wt./1000 feet
4TWA	# 4 gauge	34 lbs.



4TWA

Guards

STRAIGHT & FLARED



U-Cable Guards

For the protection of rising cable at the lower end of poles. Made from Hot dip galvanized 14 gauge Steel or 1100 grade aluminum to C.S.A. drawing No. G-3, specification C-83. Made in 2 styles: Straight (UC & UCA) and flared (UCG & UFA). Flared design will fit over underground duct without the need of an adapter. Throat clips (ATC) to round off sharp edges at the top of cable guards are also available.

Cat. No. (steel)	Cat. No. (Aluminum)	L	W	Std.Pkg.	Wt.-lbs./ C (Steel)	Wt.-lbs./ C (Aluminum)
Straight Cable Guards (UC & UCA):						
534UC	534UCA	5'	3/4"	5	330	110
834UC	834UCA	8'	3/4"	5	530	176
5114UC	5114UCA	5'	1.1/4"	5	440	146
8114UC	8114UCA	8'	1.1/4"	5	760	273
5214UC	5214UCA	5'	2.1/4"	5	900	300
8214UC	8214UCA	8'	2.1/4"	5	1300	433
5314UC	5314UCA	5'	3.1/4"	5	1100	366
8314UC	8314UCA	8'	3.1/4"	5	2000	666
5334UC	5334UCA	5'	3.3/4"	3	1500	500
8334UC	8334UCA	8'	3.3/4"	3	2160	720
8414UC	8414UCA	8'	4.1/4"	3	2800	933
Flared Cable Guards (UCF & UFA):						
5114UCF	5114UFA	5'	1.1/4"	5	460	153
8114UCF	8114UFA	8'	1.1/4"	5	840	280
5214UCF	5214UFA	5'	2.1/4"	5	930	310
8214UCF	8214UFA	8'	2.1/4"	5	1300	443
5314UCF	5314UFA	5'	3.1/4"	5	1540	513
8314UCF	8314UFA	8'	3.1/4"	3	1850	620
8334UCF	8334UFA	8'	3.3/4"	3	2450	816
8414UCF	8414UFA	8'	4.1/4"	3	3010	1029
85UCF	85UCF	8'	5"	3	3200	1100
11UF	—	29.5"	11.417'	1	3010	N/A

Other sizes available upon request.
Custom flares available upon request.



8214UC



8214UFA



8214UCF



11UF



Guard Straps

STRAPS

Straps

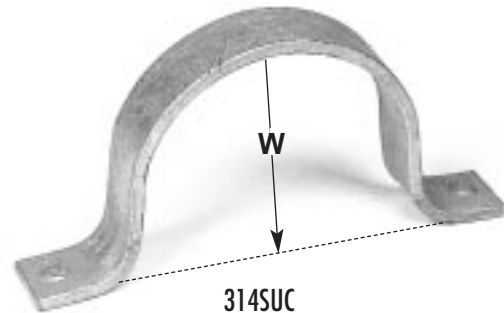
Galvanized and Aluminum

Straps		L	W	Std.Pkg.	Wt.-lbs./ C (Steel)	Wt.-lbs./ C (Aluminum)
Cat.No. (Steel)	Cat.No. (Aluminum)					
Straps (SUC & SCA):						
34SUC	34SCA	3/4 x 1/8	3/4"	200	12	4
114SUC	114SCA	3/4 x 1/8	1 1/4"	200	15	5
214SUC	214SCA	1 x 1/8	2 1/4"	100	24	8
314SUC	314SCA	1 x 3/16	3 1/4"	100	60	20
334SUC	334SCA	1 x 3/16	3 3/4"	50	70	23
414SUC	414SCA	1 x 3/16	4 1/4"	50	80	26
50SUC	50SCA	7/8	5"	25	90	30

Other sizes available upon request.



214SCA



314SUC

Aluminum Throat Clip (ATC)

Cat. No.	Size	Std.Pkg.	Wt.-lbs/ C
114ATC	used on 1 1/4" guard	50	15
214ATC	used on 2 1/4" guard	50	25
314ATC	used on 3 1/4" guard	25	62
334ATC	used on 3 3/4" guard	25	69



314ATC

Guy Guards

PLASTIC/STEEL



Guy Guards

Made from polyethylene (YG) or 14 gauge galvanized steel (SGG)

Cat.No.	Length	Colour	Std. Pkg.	Wt.-lbs./ C
2YG	2M	Yellow	10	325
2GG	2M	Green	10	325
7SGG	7'	Galvanized Steel	5	1100



2YG



7SGG



Guy Hooks

Guy Hooks

34GH made of ductile iron for use with 5/8" or 3/4" bolt. **May be used for down guying attachment. The Guy strand loop may be made on the ground to simplify installation.** The suffix "C" signifies less spurs (for concrete poles).

Cat. No.	Size of Length	Bolt Hole	Std.Pkg.	Wt.-lbs./ C
34GH	6"	13/16	25	118
34GHC (No Spurs)	6"	13/16	25	118
2GH	1.1/2 x 3/8 x 4" 1g	11/16	50	90
13GH		11/16	25	100
Guy Hook Combination -Used with strand or fiberglass strain Insulators				
234GH 234GHC	6" As Above less spurs -Used on concrete poles	13/16	25	130
25SGS	1 1/2 x 3/4 width	11/16	25	50



34GH



234GH



2GH



13GH



25SGS

Guy Plates

STRAIN & GUY PLATES

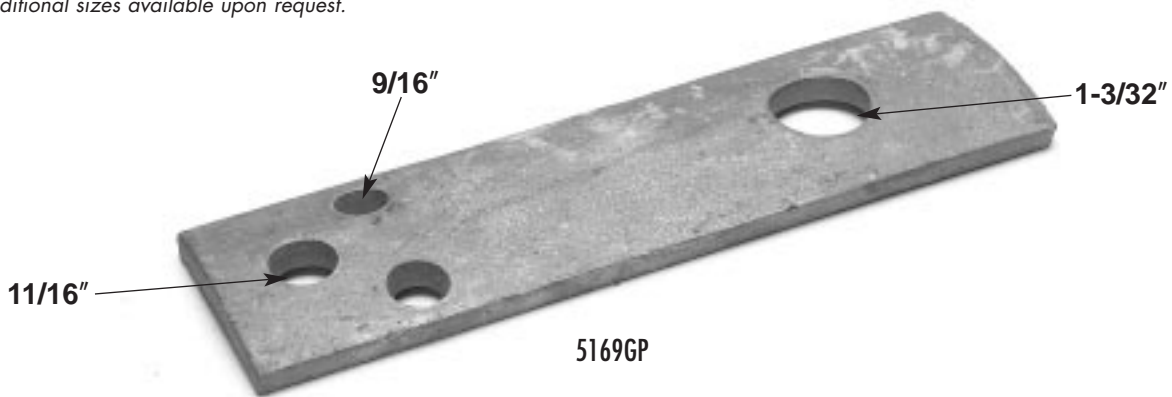


Guy Plates (Curved)

Used with bent thimble eye bolts for down guys. Prevent damage to poles.

Cat.No.	Dimension	Thickness	Std.Pkg.	Wt.-lbs./ C
147GP	7 x 2 1/2	1/4	50	125
5169GP	9 x 2 1/2	5/16	25	160
1410GP c/w 13/16 slots	10 x 2 1/2	1/4	25	170

Additional sizes available upon request.

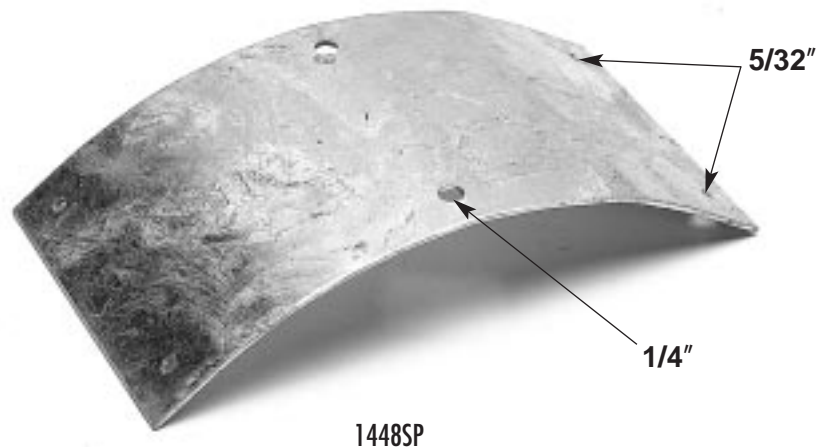


Strain Plates (curved)

To prevent pole cutting by guy or messenger.

Cat.No.	Dimension	Gauge	Std.Pkg.	Wt.-lbs./ C
1448SP	4 x 8	14	50	80
10611SP	6 x 11	10	25	100

Additional sizes available upon request.



GUY PLATES



Nuts

EYE, THIMBLE, SQUARE, HEX

Eye Nuts

Hot dip galvanized. Used in Conjunction with oval eye bolts. Oval Eye and Thimble Eye

Cat.No.	Bolt diameter	Pkg.Qty.	Wt.- lbs./C
12EN	1/2	50	70
58EN	5/8	50	70
34EN	3/4	50	70
Single Thimble Nut			
58STN	5/8	25	90
34STN	3/4	24	90
Double Thimble Nut			
34DTN	3/4	25	100



34EN



34STN

Nuts

Hot dip galvanized and tapped oversize.

Cat. No.	Bolt Size	Std.Pkg.	Wt.- lbs./ C
Square Nuts:			
38NS	3/8	100	3
12NS	1/2	100	8
58NS	5/8	100	13
34NS	3/4	50	24
10NS	1	50	50
Hexagon Nuts:			
38NH	3/8	100	3
12NH	1/2	100	8
58NH	5/8	100	13
34NH	3/4	50	24
10NH	1	50	50

Other sizes available upon request.



34NS



58NS



34NH



58NH

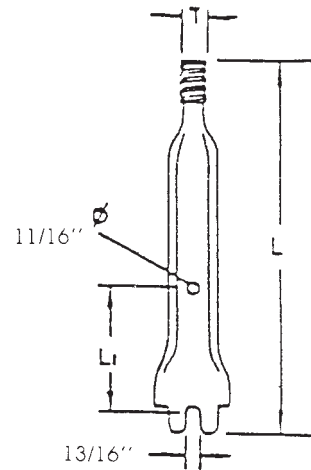
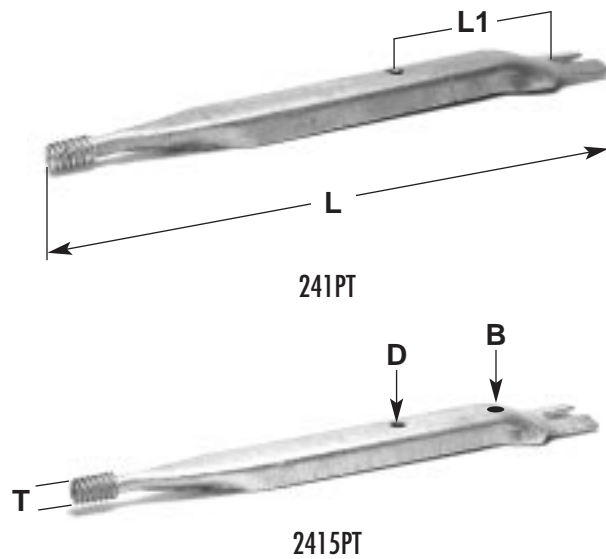
Pole Top Hardware

POLE TOP PINS, ANGLE PINS, ETC.

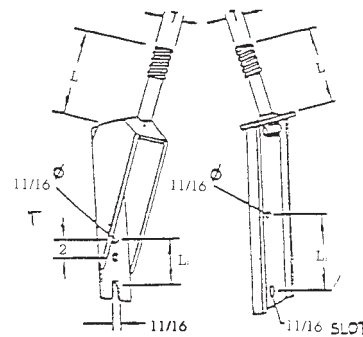
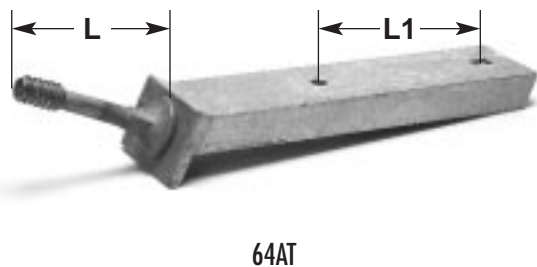


Pole Top Pins

Cat.No.	L	L1	Extra Hole B	D	T	Max load lbs. (10° deflection)	Bottom Slot	Std.Pkg.	Wt.-lbs./ C
Pole Top Pin:									
181PT	18	8	-	11/16	1	1,000	13/16	10	370
241PT	24	8	11/16	11/16	1	750	13/16	10	540
243PT	24	8	11/16	11/16	1-3/8	750	13/16	10	610
2415PT	24	8	11/16	11/16	1	750	13/16	10	610
2415PT13	24	8	11/16	13/16	1	750	13/16	10	610
2415PT11	24	8		11/16	1	750	11/16	10	610



Cat.No.	L	L1	D	T	(10° deflection)	Max load lbs. Std.Pkg.	Wt.-lbs./ C
Angle Pole Top Pin:							
64AT	6	8	11/16	1	2,500	4	1400
7114AT	7	8	11/16	1-3/8	2,500	4	1400
434AT	4	8	11/16	1	2,500	4	1140
34114AT	Base only	8	11/16			4	900



POLE TOP
HARDWARE

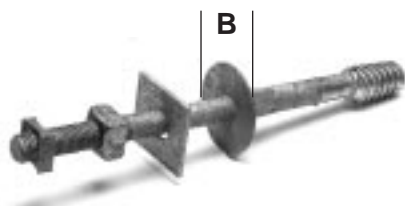


Pole Top Hardware

CROSS ARM PINS, ANGLE PINS, ETC.

Pole Top Pins Cont'd

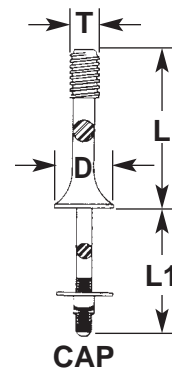
Cat.No.	L	L1	B	D	T	Max load lbs. (10° deflection)	Std.Pkg.	Wt.-lbs./ C
Cross Arm Steel Pin (Long Shank):								
4313CAP	4-3/4	5-1/2	1-3/4	1/2	1	500	50	130
3313CAP	3-3/4	5-1/2	1-3/4	1/2	1	1,000	50	125
4302CAP	4-3/4	5-1/2	2	5/8	1	1,500	50	165
6002CAP	6	6-3/4	2	3/4	1	1,500	25	265
6023CAP	6	1-3/8	2-3/4	3/4	1	1,500	10	165
6532CAP	6	5-3/4	2	5/8	1	1,000	25	185
6632CAP	6	6-3/4	2	5/8	1	1,000	25	195
803CAP	8	7	3-1/8	3/4	1-3/8	3,000	15	400
1233CAP	12	7	3-3/4	3/4	1-3/8	3,000	10	820
Cross Arm Steel Pin (Short Shank):								
710CPS	7	1-3/8	3-1/8	3/4	1	2,500	5	245
703CPS	7	1-3/8	3-1/8	3/4	1-3/8	2,500	5	295
5021CPS	5	1-3/8	2-1/4	3/4	1	2,500	10	150
6023CPS	6	1-3/8	2-3/4	3/4	1	2,500	10	165
Angle Pin:								
916ANP	5	6	-	1/2	1	3,000	10	500
1116ANP	5	6	-	5/8	1	3,000	10	500
758ANP	7	6	-	5/8	1-3/8	3,000	10	700
60389	7	6	-	5/8	1	3,000	10	700 (Aluminum Base)
334ANP	6	7	-	3/4	1	3,000	10	750 (Aluminum Base)
Lead Pin Adapter:								
1138LPA	2	-	-	-	1-3/8	-	10	56



6023CPS



6002CAP



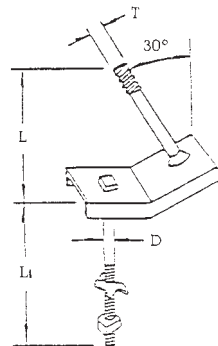
CAP



334ANP



1116ANP



1138LPA

POLE TOP
HARDWARE

Pole Top Hardware

POLE TOP BRACKETS, SIDE POST BRACKETS



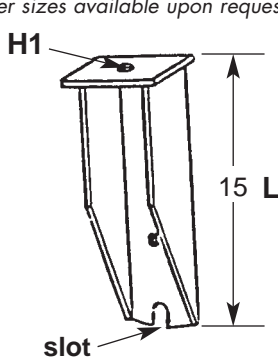
Pole Top Bracket

1544PTB – Hot dip galvanized Steel for use with line post insulators with stud base rated 13.2 KV to 69 KV. Mounting holes for 5/8" bolts - 8" from bottom.

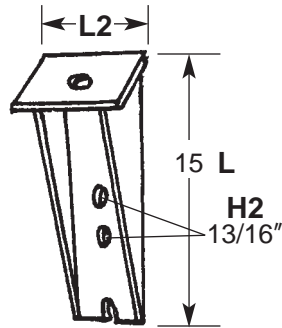
1568PTB – has 13/16" bottom mounting slot, mounting holes 6" & 8"

Cat.No.	Minimum Rated Strength	L	H1	H2	Slot	L2	L1
1544PTB	2500 lbs.	15	7/8	11/16	11/16	5-1/4	5-1/4
1568PTB	2500 lbs.	15	7/8	11/16	13/16	5-1/4	5-1/4
1568PTA	2500 lbs.	15	13/16	11/16	13/16	5-1/4	5-1/4
1568PAO	2500 lbs.	15	13/16	13/16	13/16	5-1/4	5-1/4
1544PTB-78ME		15	15/16	11/16	11/16	5-1/4	4-1/2
1568PTO-15	2500 lbs.	15	15/16	13/16	13/16	6	6
1544PTB13	2500 lbs.	15	7/8	11/16	13/16	5-1/4	5-1/4
1568PTO	2500 lbs.	15	7/8	13/16	13/16	5-1/4	5-1/4
4144PTB		41	7/8	11/16	11/16	5-1/4	5-1/4

Other sizes available upon request.



1544PTB & 1568PTB



1544PTA



1544PTB



1544PTA

Side Post Bracket

Cat.No.	Minimum Rated Strength	Std.Pkg.	Wt.-lbs./ C
3SBS	2800 lbs.	5	750
9SBS	2800 lbs.	5	1130
9SBP	c/w Plate	5	1400
175SBSO	-	5	1800
175SBP	c/w Plate flush	5	2100
175SBP-1	c/w Plate offset	5	2100



175SBSO



175SBP-1
9SBP



9SBS
3SBS

POLE TOP
HARDWARE



Pole Insulators

LINE POST INSULATORS

Line Post Insulators

Technical Data

Specifications	Unit	Catalogue Number*					
		15HKL	28HKL	35HKL	46HKL	69HKL	
Voltage Class	kV	15	28	35	46	69	
CEA Class	-	LP15	-	LP28M	LP46	LP46M	
Section Length (L)**	mm (in)	287 (11.3)	339 (13.3)	415 (16.3)	491 (19.3)	614 (24.2)	
Dry Arcing Distance	mm (in)	145 (5.7)	190(7.5)	270 (10.6)	345 (13.6)	483 (19.0)	
Leakage Distance	mm (in)	275 (10.8)	420 (16.5)	660 (26.0)	864 (34.0)	1117 (44.0)	
Critical Impulse Flashover	Positive	kV	130	160	195	240	310
Critical Impulse Flashover	Negative	kV	155	205	285	350	-
Low-Frequency Flashover	Dry	kV	75	95	120	145	200
Low-Frequency Flashover	Wet	kV	40	65	85	115	160
Radio Influence Voltage (RIV) at 1000 kHz	Test	kV	10	15	22	30	30
Radio Influence Voltage (RIV) at 1000 kHz	Max	mV	2.5	2.5	2.5	2.5	2.5
Specified Tensile Load (STL)	kN (lb)	22 (5000)	22 (5000)	22 (5000)	22 (5000)	22 (5000)	
Specified Cantilever Load (SCL)	kN (lb)	12.5 (2800)	12.5 (2800)	12.5 (2800)	12.5 (2800)	12.5 (2800)	
Max Design Cantilever Load (MDCL)	kN (lb)	6 (1350)	6 (1350)	6 (1350)	6 (1350)	6 (1350)	
Number of Sheds	No.	2	3	5	6	10	
Approx. Weight	kg.(lb)	3.4 (7.4)	3.7 (8.0)	4.3 (9.4)	4.7 (10.3)	9.1 (20.0)	

* Ordering Information

To Catalogue number, add suffix H for horizontal, V for vertical, T for C-neck Tie-top, TF for the F-neck Tie top, or K for K-clamp.

Standard base threads are 3/4" – 10 UNC. Different base threads are available upon request.

** K-clamp conductor diameter ranges 7.6 mm (0.30") to 34.0 mm (1.34")

*** Section lengths are for tie-top insulators. For others refer to Section Length Adjustment Table under End Fittings.

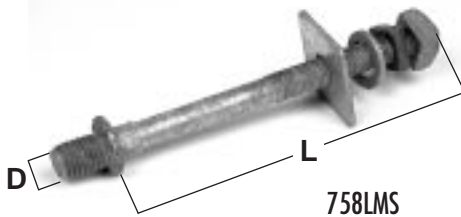


Universal Line Post Insulator

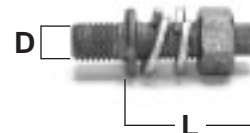
Mounting Studs for Insulators

3/4 x 10 UNC threads minimum tensile 20,000 lbs.

Cat. No.	Dim. L in inches	diameter D	Std.Pkg.	Wt.-lbs./ C
13458LMS	1-3/4	5/8	any	50
23434LMS	2	3/4	any	60
758LMS	7	5/8	any	130
734LMS	7	3/4	any	140



758LMS



13434LMS

Pole Insulators

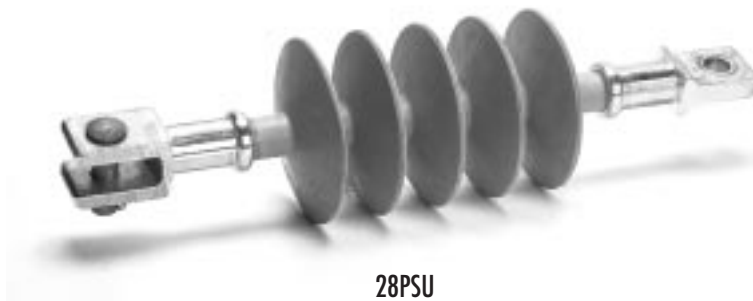
DEAD END SUSPENSION (POLYMERE)



Distribution Deadend / Suspension Insulator

Technical Data

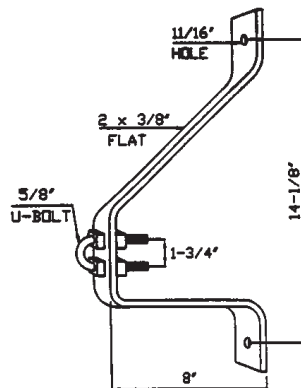
Specifications	Unit	Catalogue Number*				
		15PSU	28PSU	35PSU	46PSU	46PSUA
Voltage Class	kV	15	28	35/46	46	46
CEA & ANSI Class	-	DS15	DS28	-	DS46	-
Section Length (L)	mm (in)	322 (12.7)	433 (17.0)	548 (21.6)	574 (22.6)	646 (25.4)
Dry Arcing Distance	mm (in)	193 (7.6)	290 (11.4)	386 (15.2)	419 (16.5)	490 (19.3)
Leakage Distance	mm (in)	384 (15.1)	590 (23.2)	850 (33.5)	988 (38.9)	1059 (41.7)
Low-Frequency Flashover	Dry kV	100	135	155	180	200
Low-Frequency Flashover	Wet kV	70	105	135	150	155
Impulse Critical Flashover (Positive)	kV	145	285	300	355	
Radio Influence Voltage (RIV) at 1 MHz	Test kV	15	20	30	30	30
Radio Influence Voltage (RIV) at 1MHz	Max mV	Below 1	Below 1	Below 5	Below 5	
Specified Mechanical Load (SML)	kN (lb)	70 (15,700)	70 (15,700)	90 (20,200)	90 (20,200)	90 (20,200)
Torsional Load	N•m(ft•lb)	83 (62)	83 (62)	83 (62)	83 (62)	83 (62)
Approx. Weight	kg. (lb)	0.7 (1.5)	0.8 (1.8)	1.3 (2.8)	1.6 (3.5)	2.2 (4.8)



28PSU

Brackets Angle

Cat.No.	Extension	Std.Pkg.	Wt.-lbs./100
814AB	8"	1	700



814AB



Pole Mounting

POLE MOUNTS & POLE BANDS

Pole Mounts - for mounting poles on rock

Each set consists of four, one inch deformed round steel anchor bars, which are bolted to the pole by pole attachment plates. Pole-through bolts are not included and should be ordered separately. The rock is drilled to the required depth using a 1-1/4" drill. The anchor bolts are grouted in each hole with cement or sulphur.

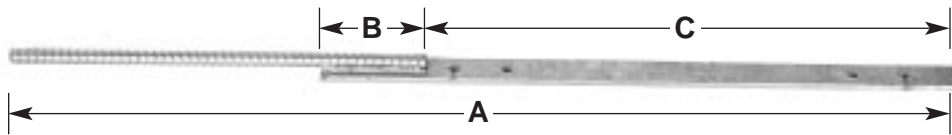
41PRA pole mount sets are for light duty construction and require 5/8" pole-through bolts.

The pole attachment plates are 1/2" x 2- 1/2" steel with 11/16" holes in each plate.

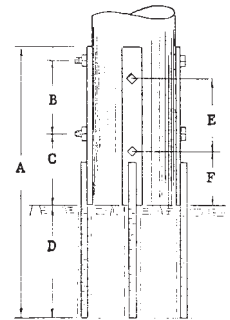
61PRA pole mounts sets are for medium duty construction and require 3/4" pole-through bolts.

The pole attachment plates are 1/2" x 2-1/2" steel with 13/16" holes in each plate.

Cat. No.	Dimensions					Std.Pkg.	Wgt./Set
	A Inches	B Inches	C Inches	Rod Diameter	Plate Thickness		
41PRA	48	7.86	30	1"	1/2"	One set	65
61PRA-1	70.875	7.88	47.25	1"	1/2"	One set	93



61PRA-1



Heavy pole Bands

Heavy pole bands have 3-way and 4-way style to satisfy various needs. Bands have 9/16" square holes in each band section for accommodation either lag screws or a ground connector.

Add Suffix "S" if 13/16 bolts are required.

Cat. No.	Style	Pole Dia. Range	Approx.Wt.-lbs./100	Std.Pkg.
7124HPB	4 -Way	7 1/2" to 12"	1242	10
8123HPB	3 -Way	8" to 12"	1339	10
11164HPB	4 -Way	11" to 16"	1745	10



7124HPB

Pole Bracing

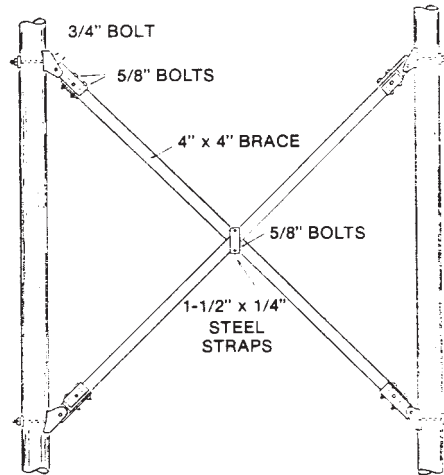
BRACES & PLATES



Bracing

Cross bracing hardware-for 4" x 4" braces- through bolts not included.

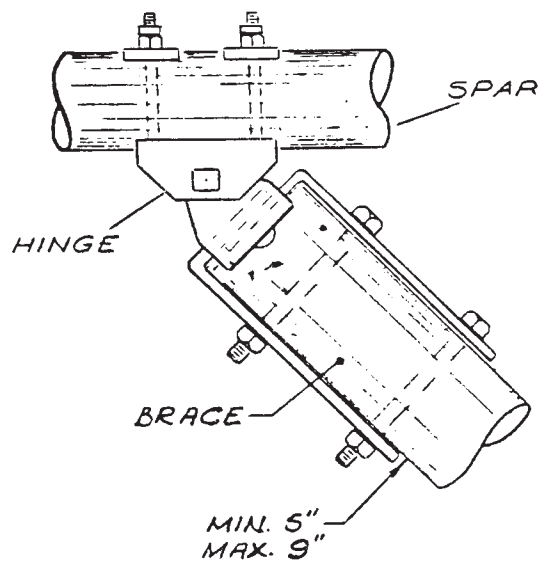
Cat. No.	Description	Std.Pkg.	Wgt./100
44CBH	Complete set – welded type X-brace end fittings	1 set	7700



44CBH

Standard thrust fitting – for spar-brace connection

Cat. No.	Description	Std.Pkg.	Wgt./100
5695ATF	Complete fitting – 5/16" material (except 3/4" through bolts)	2	1800
5695ATF-2	Complete fitting – 3/16" material (except 5/8" through bolts)	2	1100





Pole Bracing

BRACES & PLATES

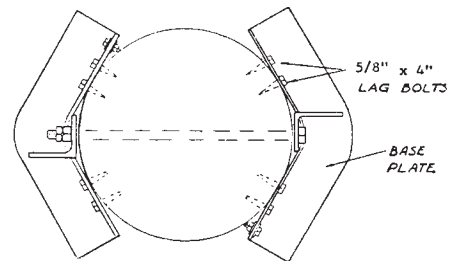
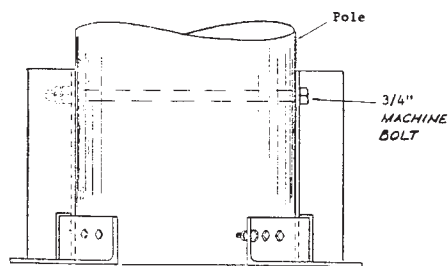
Pole Bearing Plates

Note: Machine and lag bolts not included.

Cat. No.	Galvanized	Description-inches	Std.Pkg.	Wgt./100
16PBP		1/4 x 4 x 4 bent angle (used in pairs)	1	3600



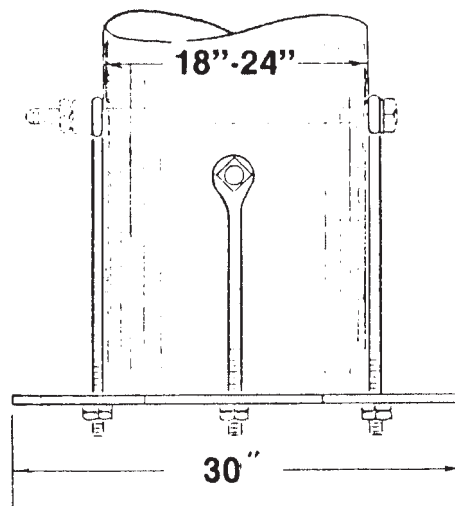
16PBP



Pole Bearing (or Uplift) Plates

Cat. No.	Description	Std.Pkg.	Wt.-lbs./ C
3830PBP	3/8" plate, 30" octagonal for poles 18" to 24"	1	10,000

Pole through bolts Not Included.
Other sizes available upon request.



3830PBP

Preform Grips

SERVICE & DEADEND GRIPS



Service Grips

Cat.No.	Diameter Range	ASCR Std.	Colour Code	Cross Reference	Wt.-lbs./ C	Std. Pkg.	Reference Name
Preforms For Triplex (Service Grip Dead End)- Galvanized Steel (Catalogue number indicates length in inches)							
10SG	.167 - .198	6	Blue	10 GSDE	8	200	10 SSG
13SG	.225 - .257	4	Orange	13 GSDE	13	100	13 SSG
14SG	.258 - .289	2-3	Black	14 GSDE	16	100	14 SSG
15SG	.290 - .325	2	Red	15 GSDE	18	100	15 SSG
19SG	.361 - .400	1/0	Yellow	19 GSDE	38	50	19 SSG
21SG	.401 - .450	2/0	Black	21 GSDE	42	50	21 SSG
23SG	.451 - .510	3/0	Orange	23 GSDE	45	50	23 SSG
26SG	.511 - .580	4/0	Red	26 GSDE	52	50	26 SSG
Preforms For Bare ASCR (Distribution Grip Dead End) - Aluminum (Catalogue number indicates length in inches)							
22DG	.228 - .264	4	Orange Swan	DG 4541	15	50	22 ADN
24DG	.289 - .316	2	Red Sparrow	DG 4542	20	50	24 ADN
28DG	.364 - .398	1/0	Yellow Raven	DG 4544	27	40	28 ADN
31DG	.410 - .447	2/0	Blue Quail	DG 4545	31	30	31 ADN
35DG	.460 - .502	3/0	Orange Pigeon	DG 4546	60	25	35 ADN
37DG	.516 - .563	4/0	Red Penguin	DG 4547	60	25	37 ADN



Uniformed Guy End (Galvanized Steel)

Cat.No.	Diameter	Strength/lbs.	Length	Colour	Std.Pkg.	Wt.-lbs./ C
2514GE	1/4"	6,450	25"	Yellow	60	50
3016GE	5/16"	11,150	30"	Black	40	63
3538GE	3/8"	15,000	35"	Orange	40	106
38716GE	7/16"	20,000	38"	Green	25	175
4512GE	1/2"	26,900	45"	Blue	20	255

Catalogue number indicating length in inches and diameter.



Guy Thimbles: Hot dip Galvanized Steel

Cat.No.	Strand	Std.Pkg.	Wt.-lbs./ C
38GT	3/8"	250	10
12GT	1/2"	250	22
516GT	5/16"	250	24



GRIPS



Washers

SQUARE FLAT WASHERS

Steel Washers

Square Washers: Hot dip Galvanized. C.S.A. Drawing No. W-1.
Other sizes and thicknesses available (thicknesses up to 5/8").

Cat.No.	Washer Size	Thickness	Hole Diameter	Std.Pkg.	Wt.-lbs./ C
1822SW9	2 x 2	1/8	9/16	200	15
1822SW11	2 x 2	1/8	11/16	200	15
1822SW13	2 x 2	1/8	13/16	200	15
1844SW11	4 x 4	1/8	11/16	50	60
3622SW9	2 x 2	3/16	9/16	200	22
3622SW11	2 x 2	3/16	11/16	200	22
3622SW13	2 x 2	3/16	13/16	200	22
3624SW9	2 1/4 x 2 1/4	3/16	9/16	200	26
3624SW11	2 1/4 x 2 1/4	3/16	11/16	200	26
3624SW13	2 1/4 x 2 1/4	3/16	13/16	200	26
3633SW11	3 x 3	3/16	11/16	50	90
3633SW13	3 x 3	3/16	13/16	50	90
3644SW11	4 x 4	3/16	11/16	50	82
3644SW13	4 x 4	3/16	13/16	50	82
1433SW11	3 x 3	1/4	11/16	50	63
1433SW13	3 x 3	1/4	13/16	100	63
1444SW11	4 x 4	1/4	11/16	50	110
1444SW13	4 x 4	1/4	13/16	50	110
3844SW18	4 x 4	3/8	1 1/8	50	160
3866SW18	6 x 6	3/8	1 1/8	20	372
1266SW18	6 x 6	1/2	1 1/8	10	400

Other sizes available upon request.
Same sizes available in curved.



1433SW13

Washers

SQUARE CURVED WASHERS



Curved Washers

Hot dip Galvanized. C.S.A. Drawing No.W-2
Other sizes and thicknesses available upon request.

Cat.No.	Washer Size	Thickness	Hole Diameter	Std.Pkg.	Wt.-lbs./ C
3622CW11	2 x 2	3/16	11/16	200	22
3622CW13	2 x 2	3/16	13/16	200	22
3624CW11	2 1/4 x 2 1/4	3/16	11/16	100	26
3624CW13	2 1/4 x 2 1/4	3/16	13/16	100	26
3625CW11	2 1/2 x 2 1/2	3/16	11/16	100	30
3625CW13	2 1/2 x 2 1/2	3/16	13/16	100	30
3633CW11	3 x 3	3/16	11/16	50	90
3633CW13	3 x 3	3/16	13/16	50	90
1433CW11	3 x 3	1/4	11/16	50	60
1433CW13	3 x 3	1/4	13/16	100	60
1433CW15	3 x 3	1/4	15/16	50	60
1434CW11	3 1/4 x 3 1/4	1/4	11/16	50	70
1434CW13	3 1/4 x 3 1/4	1/4	13/16	50	75
1444CW13	4 x 4	1/4	13/16	50	110
1445CRW15	4 x 5	1/4	15/16	20	125
3835CW13	3 1/2 x 3 1/2	3/8	13/16	20	150
3844CW13	4 x 4	3/8	13/16	20	160
3844CW16	4 x 4	3/8	1"	20	160
3844CW17	4 x 4	3/8	1 1/16	20	160
3844CW18	4 x 4	3/8	1 1/8	20	160
3845CRW13	4 x 5	3/8	13/16	20	180
3845CRW18	4 x 5	3/8	1 1/8	20	180
1244CW15	4 x 4	1/2	15/16	5	210
1244CW17	4 x 4	1/2	1 1/16	5	210
1245CRW18	4 x 5	1/2	1 1/8	5	250
1248CW17	4 x 8	1/2	1 1/16	5	350
1258CW17	5 x 8	1/2	1 1/16	5	400
1266CW18	6 x 6	1/2	1 1/8	5	350

Other sizes available upon request.
Same sizes available in flat form.



1433CW13



Washers

ROUND, BEVELLED WASHERS

Round Washers

Hot dip Galvanized.

Bolt Size		Thickness	Hole Diameter	Machine	Carriage	Std. Pkg.	Wt.-lbs./ C
Cat. No	Washer Size						
78RW	7/8 diameter	5/64	3/8	5/16	5/16	500	1.0
100RW	1 diameter	7/16	7/16	3/8	3/8	500	1.6
114RW	1 1/4 diameter	5/64	1/2	7/16	3/8	500	3.0
138RW	1 3/8 diameter	7/64	9/16	1/2	3/8	500	4.2
134RW	1 3/4 diameter	1/8	11/16	5/8	1/2	500	8.4
200RW	2 diameter	1/8	13/16	3/4	5/8	500	14.0



200RW

Bevelled Steel Washers

Malleable iron, Hot dip Galvanized.

Cat. No.	Bolt Size	Hole Size	Dimensions	Std.Pkg.	Wt.-lbs./ C
58114BW	5/8"	11/16"	1-1/4" Square	200	9
58112BW	5/8"	11/16"	1-1/2" Square	200	15.5



58112BW

Centering Washers

Aluminum

Cat.No.	Hole Diameter in washer	To fit hole Diameter in Crossarm	Std.Pkg.	Wt.-lbs./ C
1116CWM	11/16	1 1/2	50	31
1316CWM	13/16	1 1/2	50	30



1116CWM

Fender Washers

Zinc plated. These special size washers have an extra wide bearing surface.

Cat.No.	Hole Size	Outside Diameter
14114FW	1/4"	1-1/4"
3815FW	7/16"	1-3/4"



3815FW, 14114FW

Washers

LOCK, SPUR WASHERS



Spring Lock Washers

Cat.No.	Bolt Diameter Inches	Steel Sizes Inches	Std. Pkg.	Shipping Wt.lbs. (100 pcs.)
38LW	3/8	.141 x .094	100	.7
12LW	1/2	.171 x .125	100	1.5
58LW	5/8	.203 x .156	100	3.3
34LW	3/4	.234 x .188	100	5
78LW7/8	.266 x	.219	100	7
10LW	.297 x	.250	100	11



34LW

58LW

Spur Washers

Generally used with crossarm pins.

Cat.No.	Bolt Size-Inches	Wgt./100
12SPW	1/2	9
58SPW	5/8	10
34SPW	3/4	10



Spur Washer

Humpback Cotter Pins

Cat. No.	Bolt or Pin diameter	Material	Std. Pkg.	Wt.-lbs./ C
3812HCB	1/2"	Brass	N/A	.85
58HCS	5/8"	Stainless	N/A	1.25
58HCB	5/8"	Brass	N/A	1.70
3478HCS	3/4" & 7/8"	Stainless	N/A	2.5

Straight cotter pins also available upon request.



Cotter Pins

Button Head Pins (Rivets)

For use with spring type cotter pin.

Cat. No.	Length	Diameter	Std. Pkg.	Wgt./100
13458BH	1-3/4"	5/8"	50	26
2558BH	2-1/2"	5/8"	50	33
33458BH	3-3/4"	5/8"	50	44
43458BH	4-3/4"	5/8"	50	53

Also available in 3/8" Diameter.



43458BH



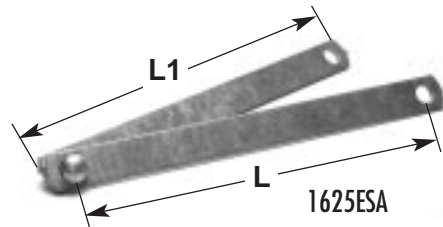
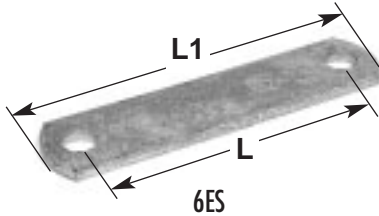
Straps

EXTENSION & STRAIN

Extension Straps

Used to provide extra clearance for dead ending applications. Made from 1.3/4 x 1/4 steel. Hot dip galvanized. Minimum breaking strength 8,000 lbs. Diameter holes 11/16". 1625ESA made from 1-1/2 x 1/4 material.

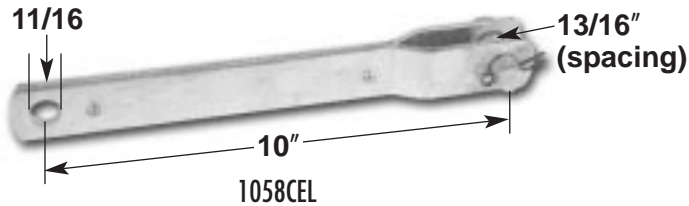
Cat. No.	L	L1	Hole Size	Std.Pkg.	Wt.-lbs./ C
6ES	6	7 1/2	11/16	100	90
8ES	8	9 1/2	11/16	25	110
10ES	10	11 1/2	11/16	50	135
18ESA	18	19 1/2	11/16	25	200
1625ESA	16.25	18	11/16	25	300



Clevis Extension Link

13/16" inside clevis – 5/8" pin – 5/8" tongue width

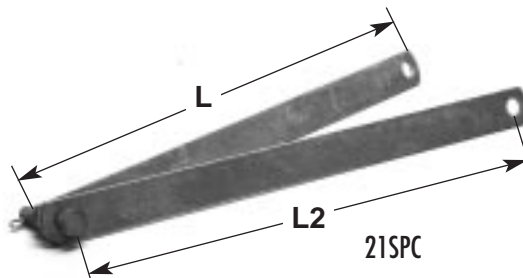
Cat.No.	Extension Size- Inches	Std.Pkg.	Wgt./100
1058CEL	10	25	325



Strain Plate Clevis

Provides additional clearance between primary conductor and ground. Ring fills or spacer washers not included. Strap section 3/16 x 1-1/2. Other sizes available on request.

Cat. No.	L	L2	Std. Pkg.	Wt.lbs./ C
9SPC	9	7 1/2	25	120
15SPC	15	13 1/2	25	215
21SPC	21	19 1/2	25	295
29SPC	29	27 1/2	25	370
335SPC	33 1/2	32	25	460



Racks

SPOOL RACKS & SCREW BRACKETS



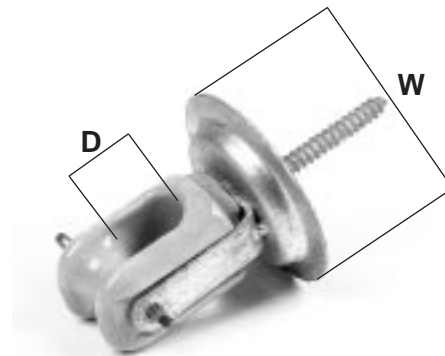
RACKS

Screw Brackets

Cat. No.	LS	W	D	Std. Pkg.	Wt.-lbs./ C	Description
Screw Insulator & Screw Brackets:						
211D	3-1/4	2-1/8	11/16	50	70	1/4" SS cotter pin
13712DSS	3-1/4	3-5/8	1	25	80	



211D



13712DSS

Secondary Racks for Spool Insulators

Insulators not included-C.S.A. standard Drawing No. R-15 complete with through pin, brass cotter pin and 2 formed washers.

Cat.No.	No. of wires	Overall Length	Std.Pkg.	Wt.-lbs./ C
Non-Extended Ends:				
214NE	2	14"	5	460
322NE	3	22"	5	720
430NE	4	30"	5	980
Extended Ends:				
217E	3	17"	5	500
218E	2	18"	5	520
326E	3	26"	5	780
434E	4	34"	5	1040
534E	5	34"	5	1120

Insulators used on above racks #355WSPG.
Available with individual pins - add suffix "H".



322NEH



326E



Racks

SECONDARY RACKS

Secondary Racks-Heavy Duty

Knob Type Racks:

Complete with knob type insulators and non-extended ends.

C.S.A. Specification C-83, Drawing No. R-17 wire spacing 8".

Cat.No.	No. of wires	Overall Length	Std.Pkg.	Wt.-lbs./ C
1045R	1	4 1/2	10	250
2145R	2	14 1/2	5	600
3200R	3	20 1/2	5	850
4280R	4	28"	5	1100
5360R	5	36"	5	1350
2180TSR	2	19"	5	500

Add 13 at the end of part number when 13/16 mounting holes are required.
Insulator used on above racks #1085D.



1045R



2180TSR



3200R

Cat.No.	Width	Height	Hole	Pkg. Qty.	Wt.-lbs./ C	
Knob-Type (U-Bolt) Insulator only:						
1085D	3	3-3/4	1	25	170	For knob type rack. U-bolts not included.



1085D

Medium Duty Racks

- 11/16 mounting holes.

- complete with Insulators (1606WSP).

Cat.No.	No. of Wires	Overall Length	Width	Spacing	Std. Pkg.	Wt.-lbs./ C
1172E	2	15 1/2	2 5/8	8	5	420
1173E	3	23 1/2	2 5/8	8	5	690
1174E	4	31 1/2	2 5/8	8	5	960

Clevis size - 2 5/16 high x 1 3/4 wide.



1085D

Underground Hardware

CABLE RACKS & HOOKS



Underground Cable Racks

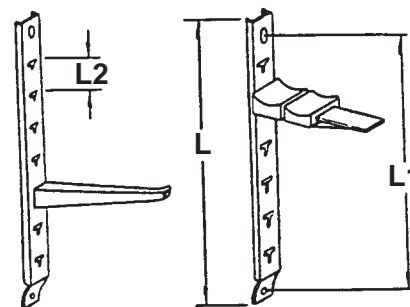
C.S.A. C-83 Drawing No. R.12. Made from 1 1/2 x 9/16 x 3/16 thick channel in length as shown, Hot dip galvanized. The lower end of the rack is offset to fit the top of the rack below. In this way, racks can be combined to almost any length. Special length racks with or without mounting hole also available.

Cat. No.	No. of Slots	L	L1	L2	Std. Pkg.	Wt.-lbs./ C
8UCR	8	15	13 1/2	1 1/2	25	120
14UCR	14	24	22 1/2	1 1/2	25	230
18UCR	18	30	28 1/2	1 1/2	10	310

Other sizes available upon request.



14UCR



14UCR

Formed Steel Hooks: C.S.A. C-83 Drawing No. H.2

Made from 3/16 steel plate, offers a smooth hot dip galvanized steel curved surface to the cable. Do not require any insulators. Made to fit underground cable racks. Minimum strength load applied 1 inch from the end: 300 lbs. (230 lbs. for 18.FSH) If insulator is required use part #15FSHN.

Cat. No.	Length	Width	Std. Pkg.	Wt.-lbs./ C
4FSH	4	1 1/2	50	60
7FSH	7 1/2	1 1/2	50	100
10FSH	10	1 1/2	25	130
14FSH	14	1 1/2	25	220
18FSH	18	1 1/2	20	315

Other sizes available upon request.



18FSH

UNDERGROUND
HARDWARE



Underground Equipment

Fabricated Steel T-Hooks and Insulators

Interchangeable with formed steel hooks. Insulators are recommended. Steel thickness and strength same as formed steel hooks.

Cat. No.	L4	D	Std. Pkg.	Wt.-lbs./ C
4STH	4	1 1/2	50	55
75STH	7.1/2	1 1/2	50	100
10STH	10	1 1/2	25	120
Insulator only for above hooks "T" Style				
15THN	2 3/4	2 3/4	25	80
Insulator used with FSH formed steel hooks "FSH" Style				
15FSHN	2 3/4	2 3/4	25	80



4STH



15THN/FSH

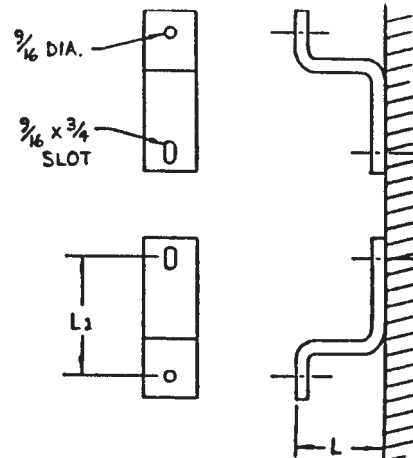
Cable Rack Supports

Used to offset cable racks from the wall.

Cat.No.	Steel Size	Extension L	Hole Spacing L2	Std.Pkg.	Wt.-lbs./ C
358CRS	1 x 1/2	3.5/8	4 1/2	50	150
696CRS	1 1/4 x 1/2	6 9/16	6 1/8	25	250



358CRS



UNDERGROUND
EQUIPMENT

Special Hardware

MINING HARDWARE



Mining Hardware

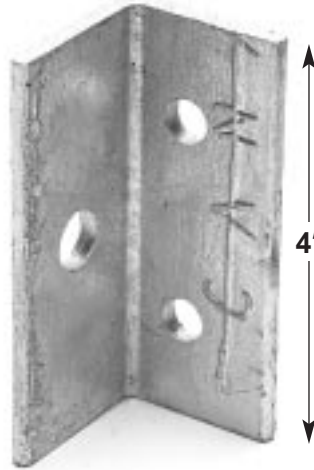
Used primarily in the mining industry or other underground installations to mount switches, starters, or welding receptacles to main or other support beams.

- Custom Washers of any size available upon request.

Angle Iron Bracket Mounting Plate

ME100 = 1 3/4 x 1 3/4

ME115 = 1 1/2 x 1 1/2



ME100

J Bolt

ME300 - 3/8 x 2 3/4

ME356 - 5/16 x 2 3/4



ME356

U Bolt

ME200 - 3/8 x 3 3/2 x 2" spread

ME200-1 - 3/8 x 3 1/4 x 2" spread



769



Custom Enclosures

ONTARIO HYDRO ENCLOSURES

Ontario Hydro Meter Cabinet

Cat.No.	Weight	Enclosure Size H x W x D
74820585	44 lbs.	24" x 16" x 10"



74820585

Accessories

SEALS & JUMPER BARS



Meter Seals

Cat.No.	Description	Weight
FA100G	Padlock Galvanized c/w Stainless Steel Wire (STD PAC 200)	15 lbs./m
FA400P	Plastic Padlock c/w Stainless Steel Wire (STD PAC 1000) - Embossing & various colours available	14 lbs./m
FA300P	All Plastic Padlock - Orange (STD PAC 1000) - Embossing & various colours available	1 lb./m
FA200M	Lead Seal c/w 6" Wire (STD PAC 250)	10 lbs./m
FA209M	Lead Seal c/w 9" Wire (STD PAC 250)	11 lbs./m
FA71A-5	Sealing Press (Crimpers) c/w Built-in Wire Cutters (Die Engraving Available) For Lead Seals	1 lb. Each



FA400P

Socket Meter Disconnect Sleeve

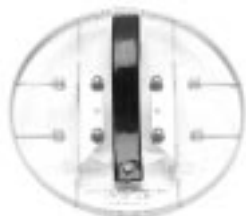
Cat.No.	Description	Weight
AD500	Clear Mylar - 144 pieces per package	1 lb./m
AD100	Red Vinyl - 144 pieces per package	1 lb./m
		Sold in Pkg. of 144 Only



AD500

Jumper Bars / Cover

Cat.No.	Description	Weight
JB2	Insulated, 200 Amp Max. Jumper Bars	5 lbs./100
JC4B	Jumper Covers, 4 Jaw c/w Handle	1 lb. each
JC6B	Jumper Covers, 7 Jaw c/w Handle	1 lb. each



JC4B



JB2



Meter Accessories

SEALING RINGS / COVERS

Meter Socket Sealing Rings

Cat.No.	Description	Weight
SX001M	Slip Lock Type	15 lbs./100
SX002M	Latch Type or Buckle Type (Meter Sealing Ring)	17 lbs./100
SX006M	Adjustable Screw Type - Aluminum	17 lbs./100
SX006SS	Stainless Steel Screw Type Tamperproof	25 lbs./100
SX006NS	Stainless Steel Screw Type for Nova Scotia	28 lbs./100
SX008M	Acrylic (Peerless)	25 lbs./100



SX008M



SX006SS

Meter Opening Cover Plates

Cat.No.	Description	Weight
SX087MD	Hard Plastic	12 lbs./100
SX087MC	Clear Lexan	12 lbs./100
SX087CB	Clear Bladed Lexan	13 lbs./100
SX025P	Plastic (temporary) - Throw Away	1 lb./100
SX087S	Steel	1 lb.
SX087SMC	Meter Protector (Steel) Hinged, Snap on type	5 lbs.
SX087SMC-5	Meter Protector 5" Depth - Entire Front Lifts	3 lbs.
SX087SMC-9	Meter Protector 9" Depth - Entire Front Lifts	5 lbs.
SX087PG	Meter Puller (Polycarbonate Plastic)	3 lbs.



SX087MD



SX087SMC

METER ACCESSORIES

Other Products





Hydel
ENTERPRISES INC.

DIVISION OF CIRCA METALS INC.

Head Office & Warehouse

49 Howden Road
Scarborough, Ontario M1R 3C9

Tel: (416) 750-4120

Fax: (416) 750-4679

Toll Free: 1-800-263-4579

Website: www.hydel.ca

Local Stocking Warehouses

W.A. Hawkins Agencies Ltd.

Unit 203, 12844 Anvil Way
Surrey, BC V3W 8E7
Attention: Walter Hawkins

Tel: (604) 598-8696

Fax: (604) 598-8699

Electra Sales Ltd.

668 Henderson Drive
Regina, Sask S4N 5V6

Tel: (306) 791-0266

Fax: (306) 791-0268

Circa Enterprises Inc.

2050, 2600 Portalnd Street SE
Calgary, AB T2G 4M6

Tel: (403) 258-2011

Fax: (403) 255-2595

Toll Free: 1-877-257-4588

Website: www.circatel.com

